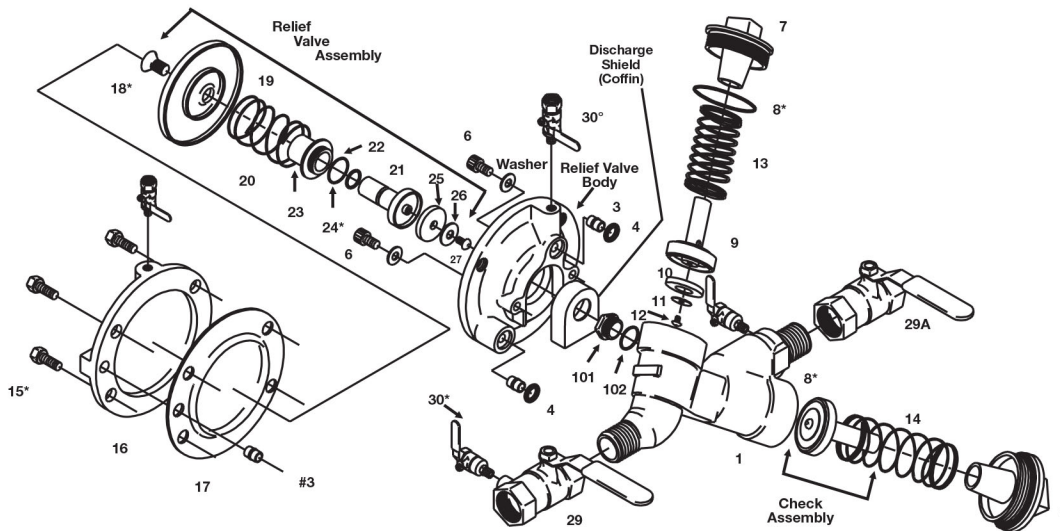




# National Fire Equipment Ltd.

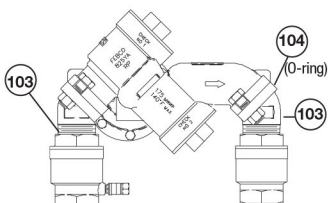
## Febco 825-Y,-YS, -YR, -YAR & YAS 3/4" - 2" Reduced Pressure Assembly



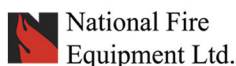
Item Description	Style	Size	3/4" - 1 1/4"	1 1/2" & 2"
CHECK RUBBER KIT (8, 10 - 2 ea.)	Y, YA, YAR	Part #	905042	905053
	YS, YAS	Part #	905042S	905053S
RELIEF VALVE RUBBER KIT	Y, YA, YAR	Part #	905043	905054
	YS, YAS	Part #	905043S	905054S
COMPLETE RUBBER KIT (both checks & relief valve) (3, 4, 5, 8, 10, 17, 22, 24, 25, 102, 104)	Y, YA, YAR	Part #	905111	905112
SINGLE CHECK KIT (each valve has two checks) (8-12, 1 ea.)	Y, YA, YAR	Part #	905044	905055
	YS, YAS	Part #	905044S	905055S
RELIEF VALVE KIT (17-27)	ALL	Part #	905045	905056
RELIEF VALVE SEAT RING KIT (101, 102) (N/A for 1 1/2" size)	Y, YA	Part #	905113	905114
	YS, YA			
CHECK VALVE SEATRING (Seat Ring & O-ring)	YR, YAR	Part #	905280	905281
	Y, YA*			
#1 CHECK SPRINGS (inlet)	ALL	Part #	630125	630137
#2 CHECK SPRINGS (outlet)	ALL	Part #	630115	630118

\* 825A & YA with "J" prefix serial numbers only (not available for 1 1/4" size)

### 825YA, YAR, YAS Elbow Parts



Item Description	Part	Size	3/4"	1"	1 1/2"	2"
YA ELBOW PARTS (103, 104)	103 Elbow	Part #	101194	101195	101189	101190
	104 O-ring	Part #	39822372		39823072	



TORONTO: (905) 761-6355  
Toll Free: (800) 267-8508  
OTTAWA: (613) 723-6071

VANCOUVER: (604) 420-1131  
Toll Free: (800)-667-2138  
BURNABY: (604)-299-4498

EDMONTON: (780) 455-3870  
Toll Free: (888)-891-1008  
CALGARY: (403) 236-5661

MONCTON: (506) 859-7277  
Toll Free: (877) 816-3473  
MISSISSAUGA: (905) 565-1385

www.nationalfire.com