



National Fire Equipment Ltd.

SprinkFLEX® Flexible Sprinkler Connections

Ultra Sprinkflex

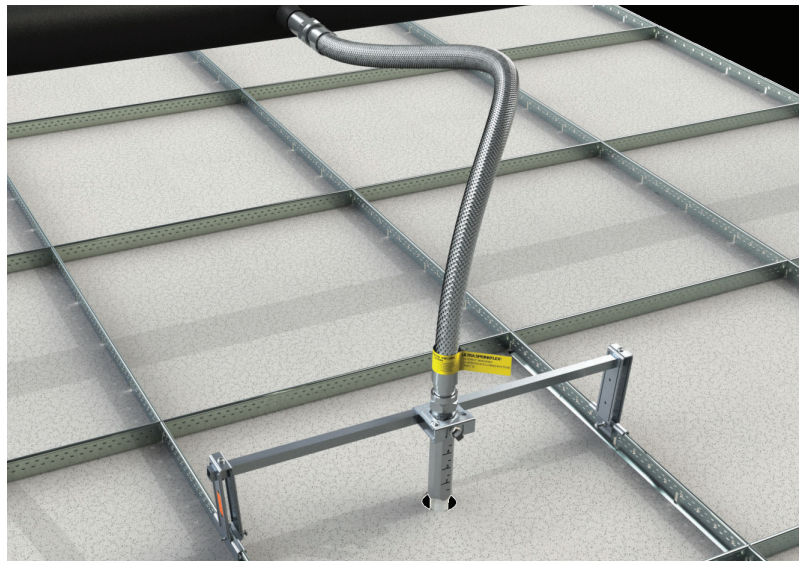
Ultra SprinkFLEX® is an economical, versatile 1" hose solution for fire sprinkler system engineers, designers, and installers.

The three piece design is available with interchangeable components to create a flexible fire sprinkler hose solutions for all obstacles encountered in the field. Ultra SprinkFLEX hoses are available in 28", 40", 48", 59", and 71".

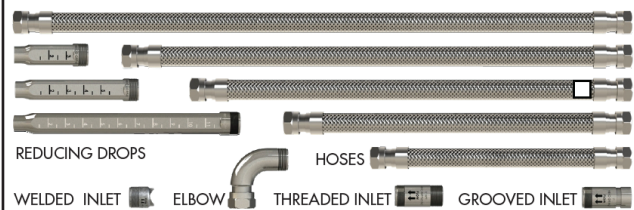
The 71" hose is designed to accept up to 12 bends for the longest length, eliminating the need to count or measure bends, leading to faster installs and inspections that lead to quicker occupancy.

Ultra SprinkFLEX® Feature and Benefits

- Fully braided three piece hose design
- Interchangeable components
- UL listed for tight 2-inch Bend Radius
- 71" hose designed to accept up to 12 bends
- High temperature silicone gasket design rated at 250° UL, 174° FM
- Threaded, groove, and weld inlet components for branch connection
- Accommodates pendant, semi-recessed, and concealed sprinkler heads
- SprinkFLEX® name provides unmatched quality and value



HB1 Series Hose Components



Standard Hose come assembled with 1" NPT threaded inlet and 7" reducing drop. Optional component sold separately in box of 20.

Hose lengths 28", 40", 48", 59", & 71"

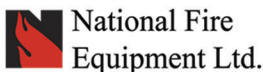
Hose Inlet Connections

- Standard: 1" NPT threaded inlet
- Optional: 1" cut groove Inlet
1" weld out for 1 - 1 1/4" – 5" branch size.

Hose Reducing Drops

- Standard: Tall 7" reducing drop, 1/2" or 3/4"
- Optional: Short 4" reducing drop, 1/2" or 3/4"
Xtra-Long 13" reducing drop 1/2", 3/4"

Elbow - Optional



TORONTO: (905) 761-6355
Toll Free: (800) 267-8508
OTTAWA: (613) 723-6071

VANCOUVER: (604) 420-1131
Toll Free: (800)-667-2138
BURNABY: (604)-299-4498

EDMONTON: (780) 455-3870
Toll Free: (888)-891-1008
CALGARY: (403) 236-5661

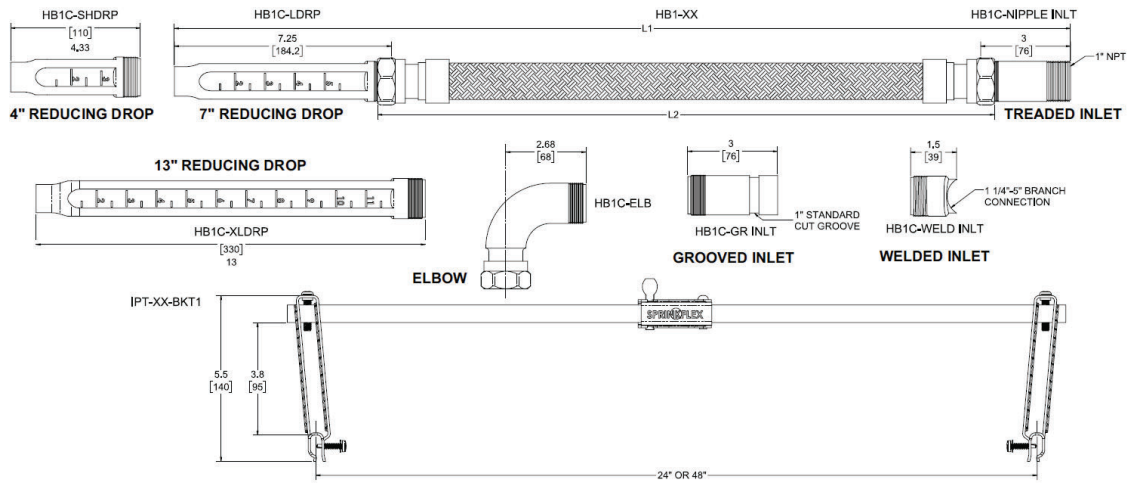
MONCTON: (506) 859-7277
Toll Free: (877) 816-3473
MISSISSAUGA: (905) 565-1385

www.nationalfire.com



National Fire Equipment Ltd.

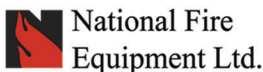
Ultra Sprinkflex Flexible Sprinkler Connections



ULTRA SPRINKFLEX - 1" INTERNAL DIAMETER (I.D.) HB1 HOSE SERIES & COMPONENTS (UL/FM)

MODEL NUMBER	INLET SIZE (INCHES) CM	OUTLET ORIFICE SIZE (INCHES) CM	ASSEMBLY LENGTH [L1] INCHES (mm)	BRAIDED HOSE ASSEMBLY LENGTH (L2)	MINIMUM BEND RADIUS		MAX NUMBER OF 90° BENDS		EQUIVALENT LENGTH OF 1in. DIAMETER SCHEDULE 40 PIPE FT (m)		MAX RATED WORKING PRESSURE	
					FM in. (mm)	UL in. (mm)	UL	FM	UL	(FM)	UL PSI (KPA)	FM PSI (KPA)
HB1-28-H	1	1/2 (1.27)	27 (700)	19.15 (486)	7 (203)	2 (50.8)	4	1	15	14.5 (4.4)	175 (1205)	175 (1205)
HB1-40-H			40 (1000)	30.15 (766)			5	2	21	20.8 (6.3)		
HB1-48-H			48 (1200)	38.15 (969)			8	3	29	22.4 (6.8)		
HB1-59-H			59 (1500)	50.15 (1274)			10	3	45	31.4 (9.5)		
HB1-71-H*			71 (1800)	62.15 (1325)			12	4	57	36.3 (11.0)		
HB1-28-T	1	3/4 (1.90)	27 (700)	19.15 (486)	7 (203)	2 (50.8)	4	1	15	14.5 (4.4)	175 (1205)	175 (1205)
HB1-40-T			40 (1000)	30.15 (766)			5	2	21	20.8 (6.3)		
HB1-48-T			48 (1200)	38.15 (969)			8	3	29	22.4 (6.8)		
HB1-59-T			59 (1500)	50.15 (1274)			10	3	45	31.4 (9.5)		
HB1-71-T*			71 (1800)	62.15 (1325)			12	4	57	36.3 (11.0)		
HB1-28	1	N/A	19 (486)	N/A	7 (203)	2 (50.8)	4	1	15	14.5 (4.4)	175 (1205)	175 (1205)
HB1-40			30 (766)				5	2	21	20.8 (6.3)		
HB1-48			38 (969)				8	3	29	22.4 (6.8)		
HB1-59			50 (1274)				10	3	45	31.4 (9.5)		
HB1-71*			62 (1579)				12	4	57	36.3 (11.0)		
HB1C-ELB*	1"	1 (25.4)	3.15 (80)	N/A	N/A	N/A	N/A	2	4 (1.2)	175 (1205)	175 (1205)	
HB1C-SHDRP-H		1/2 (1.27)	4.3 (110)					5	8.4 (2.5)			
HB1C-SHDRP-T		3/4 (1.90)	4.3 (110)					5	8.2 (2.4)			
HB1C-LDRP-H		1/2 (1.27)	7.25 (184)					6	9.2 (2.8)			
HB1C-LDRP-T		3/4 (1.90)	7.25 (184)					6	9.1 (2.7)			
HB1C-XLDRP-H		1/2 (1.27)	13 (330)					6	11.4 (3.4)			
HB1C-XLDRP-T*		3/4 (1.90)	13 (330)					6	11.2 (3.4)			
HB1C-WELD INLT		1 (25.4)	3 (106)					0	0 (0)			
HB1C-NIPPLE INLT		1 (25.4)	3 (106)					0	1 (0.3)			
HB1C-GR INLT		1 (25.4)	3 (106)					1	0 (0.3)			

* NOT EVALUATED BY UL



TORONTO: (905) 761-6355
Toll Free: (800) 267-8508
OTTAWA: (613) 723-6071

VANCOUVER: (604) 420-1131
Toll Free: (800)-667-2138
BURNABY: (604)-299-4498

EDMONTON: (780) 455-3870
Toll Free: (888)-891-1008
CALGARY: (403) 236-5661

MONCTON: (506) 859-7277
Toll Free: (877) 816-3473
MISSISSAUGA: (905) 565-1385

www.nationalfire.com



National Fire Equipment Ltd.

Ultra Sprinkflex Installation Instructions

IPT24BKT1 & IPT48BKT1 Open Hub Tall Bracket (IPT)

Installation of SPRINKFLEX Commercial Ceiling Flexible Sprinkler Drop System

HOSE MODEL:

HB1 Ultra SprinkFLEX Series; HB1-28, HB1-40, HB1-48, HB1-59, HB1-72, HB1C

Components

HB Series: HB-28, HB-40, HB-48, HB-59, HB-71

HBE-28, HBE-40, HBE-48, HBE-59, HBE-71

HN Series: HN-28, HN-40, HN-48, HN-59, HN-71

HNE-28, HNE-40, HNE-48, HNE-59, HNE-71

BRACKET MODEL:

IPT24BKT1

IPT48BKT1

Our SprinkFLEX flexible sprinkler hose fitting are UL approved for limited flexibility and intended to use for direct connection to fire sprinkler in wet / dry systems in accordance with NFPA 13, 13D and 13R. Our SprinkFLEX flexible sprinkler hose fitting can be installed for use in ceilings with grids which meets ASTM C635 and ASTM C636 referenced by IBC, and is approved for use in standard intermediate and heavy duty structural classification.

1. Determine the place where the sprinkler head will be located. The standard bracket IPT24BKT1 is 24 inches (600mm) long and shall be mounted on the 24 inch (600mm) ceiling grid. The long bracket IPT48BKT1 is 48 inches long (1200mm) long and shall be mounted on the 48 inch (1200mm) ceiling grid. The sprinkler should be located as close as possible to the center of the distance between ceiling grids (if necessary).

2. Locate the center of the ceiling tile. Screw 1" offset from the center for the true center of the tile installation. Insert one bracket leg at a time, applying a downward pressure on the bracket leg and T-bar. Secure self-drilling screw using a phillips head drive. Place the second screw leg on the T-bar and repeat the process. See Fig 1.

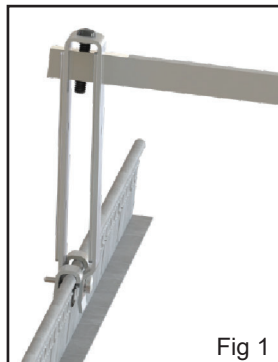
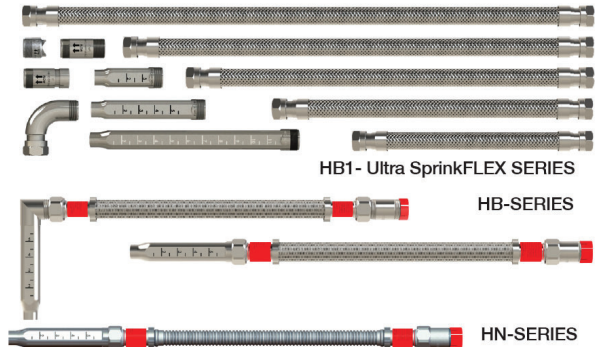


Fig 1

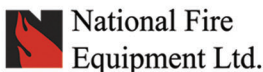
3. Separate inlet component (if necessary) from the flexible hose and attach the inlet component onto the branch line. Make sure that the arrow is in the appropriate direction of flow to the sprinkler. For threaded connections use pipe sealant and/or Teflon tape the connection to the branch line. For groove coupling installation please refer to the manufacturing installation instructions See Fig. 2. Attach one end of the flexible hose on to the inlet component and tighten the slip nut to hand tight plus 1/2 turn (equivalent to 15 ft-LBS.) Do not twist the flexible hose. See Fig. 3.



4. Manoeuvre the flexible sprinkler drop from branch to the IPT bracket. Manoeuvre the flexible sprinkler drop from branch to the IPT bracket. Review that the hose length, number of bends, and bend radius are applicable for installation per UL, FM, & NFPA guidelines. (See corresponding hose technical data sheet). The tube arc should not be twisted and arc should be as large and smooth as possible. FLEXIBLE HOSES ARE NOT TO BE INSTALLED STRAIGHT (NO BENDS).

For Listing/Approval Details and Limitations, visit our website at www.anvilintl.com or contact an Anvil® Sales Representative.

Note: The 7/8" HB & HN series hose should not be bent within 2 1/2 inches (64 mm) of the connection nut at both ends.



TORONTO: (905) 761-6355
Toll Free: (800) 267-8508

VANCOUVER: (604) 420-1131
Toll Free: (800)-667-2138

EDMONTON: (780) 455-3870
Toll Free: (888)-891-1008

MONCTON: (506) 859-7277
Toll Free: (877) 816-3473

OTTAWA: (613) 723-6071

BURNABY: (604)-299-4498

CALGARY: (403) 236-5661

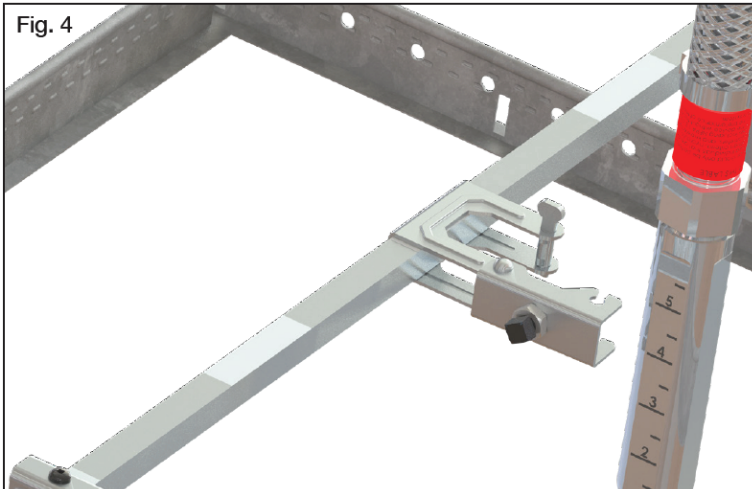
MISSISSAUGA: (905) 565-1385

www.nationalfire.com



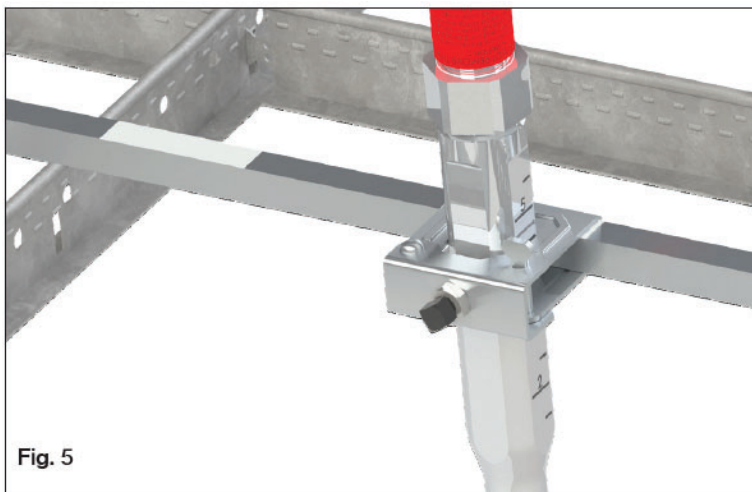
National Fire Equipment Ltd.

Ultra Sprinkflex Installation Instructions



5. The IPT bracket has an open hub for ease of installation. Open the hinge apparatus by turning the locking shaft $\frac{1}{4}$ turn. Slide the flexible hose drop into the hub. Ensure the drop is vertical and has not applying a substantial moment on the bracket causing sprinkler head misalignment. See Fig. 4.

6. Latch the hinge door closed and adjust the sprinkler drop for desired ceiling height. Tighten the set screw to 130in-lbs (hand tight plus $\frac{3}{4}$ turn. See Fig 5.



7. Ceiling tile Installation- The flexible sprinkler drop system with IPT bracket is able to be installed prior to the ceiling tile installation, preventing the need for sprinkler contractor tile adjustment. For ease of tile installation, cut the largest sprinkler hole recommended by sprinkler head manufacturer. The largest hole that is still covered by the sprinkler escutcheon allows for an easier install. Angle the tile at a 45 degree and push the tile through the hole and up above the ceiling T-bar, maneuver the tile and allow it to drop in the proper location. (Fig. 6)

8. Install desired Sprinkler head, per the Sprinkler head manufacturers installation instructions.

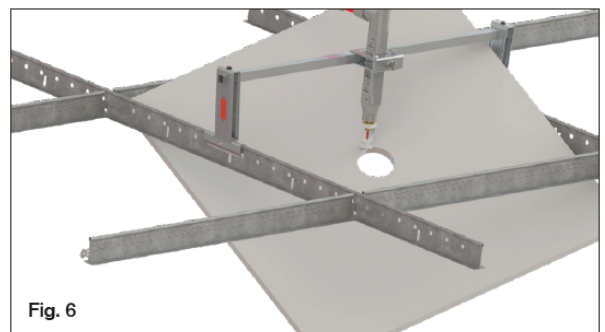
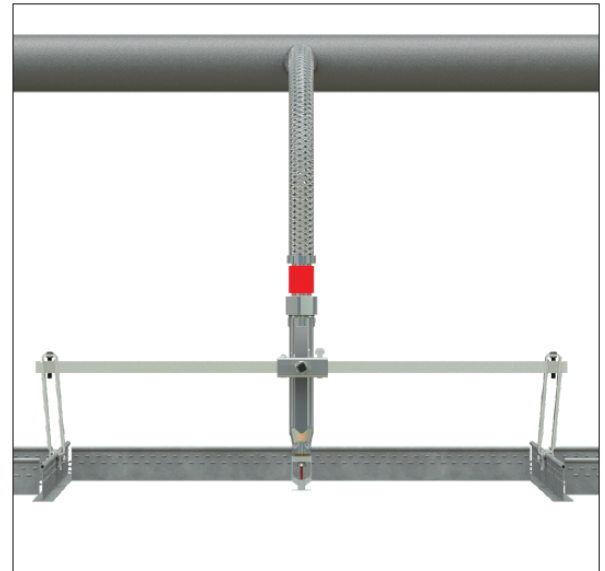


Fig. 6

⚠ WARNING

- Read and understand all instructions before attempting to install any SprinkFLEX® products.
- Wear safety glasses, hardhat, and foot protection during installation.
- These installation instructions are intended for an experienced, trained installer.
- The user must understand the purpose of these products, common industry standards for safety, and the potential consequences of improper product installation.
- De-pressurize the system before performing maintenance on the flexible hose assembly.
- Failure to follow these installation instructions could cause improper sprinkler operation, resulting in serious personal injury and/or property damage. Installation for ASTM C635 metal ceiling suspension systems installed in accordance with ASTM C636 standards.



National Fire Equipment Ltd.

Ultra Sprinkflex Flexible Sprinkler Connections

7/8" ID SPRINKFLEX HOSE (UL & FM) FRICTION LOSS DATA & SPECIFICATIONS

MODEL NUMBER	INLET SIZE (INCHES) CM	OUTLET ORIFICE SIZE (INCHES) CM	ASSEMBLY LENGTH [L1] INCHES (mm)	MINIMUM BEND RADIUS		MAX NUMBER OF 90° BENDS		EQUIVALENT LENGTH OF 1in. DIAMETER SCHEDULE 40 PIPE FT (m)			MAX RATED WORKING PRESSURE	
				FM in. (mm)	UL in.(mm)	UL	FM	UL)	(FM) 5.6 k-factor	(FM) 8.0 k-factor	UL PSI (KPA)	FM PSI (KPA)
HB28H-7	1	1/2 (1.27)	27 (700)	8 (203)	3 (76.2)	2	-	28	18.6 (5.7)	-	200 (1379)	175 (1205)
HB40H-7			40 (1000)			3	-	52	24.6 (7.5)	-		
HB48H-7			48 (1200)			3	-	64	28.5 (8.6)	-		
HB59H-7			59 (1500)			3	-	72	34.4 (10.4)	-		
HB71H-7			71 (1800)			3	-	94	40.4 (12.3)	-		
HB28T-7	1	3/4 (1.90)	27 (700)	8 (203)	3 (76.2)	2	-	28	-	18.6 (5.7)	200 (1379)	175 (1205)
HB40T-7			40 (1000)			3	-	52	-	24.6 (7.5)		
HB48T-7			48 (1200)			3	-	64	-	28.5 (8.6)		
HB59T-7			59 (1500)			3	-	72	-	34.4 (10.4)		
HB71T-7			71 (1800)			3	-	94	-	40.4 (12.3)		
HN28H-7	1	1/2 (1.27)	27 (700)	-	3 (76.2)	2	-	28	-	-	200 (1379)	-
HN40H-7			40 (1000)			3	-	52	-	-		
HN48H-7			48 (1200)			3	-	64	-	-		
HN59H-7			59 (1500)			3	-	72	-	-		
HN71H-7			71 (1800)			3	-	94	-	-		
HN28T-7	1	3/4 (1.90)	27 (700)	-	3 (76.2)	2	-	28	-	-	200 (1379)	-
HN40T-7			40 (1000)			3	-	52	-	-		
HN48T-7			48 (1200)			3	-	64	-	-		
HN59T-7			59 (1500)			3	-	72	-	-		
HN71T-7			71 (1800)			3	-	94	-	-		
HBE28H-6 & HBE28H-7	1	1/2 (1.27)	27 (700)	8 (203)	3 (76.2)	2	-	28	20.6 (6.3)	-	-	175 (1205)
HBE40H-6 & HBE40H-7			40 (1000)			3	-	52	26.6 (8.1)	-		
HBE48H-6 & HBE48H-7			48 (1200)			3	-	64	30.5 (9.3)	-		
HBE59H-6 & HBE59H-7			59 (1500)			3	-	72	36.4 (11.1)	-		
HBE71H-6 & HBE71H-7			71 (1800)			3	-	94	42.4 (12.9)	-		
HBE28T-6 & HBE28T-7	1	3/4 (1.90)	27 (700)	8 (203)	3 (76.2)	2	-	28	-	20.6 (6.3)	-	175 (1205)
HBE40T-6 & HBE40T-7			40 (1000)			3	-	52	-	26.6 (8.1)		
HBE48T-6 & HBE48T-7			48 (1200)			3	-	64	-	30.5 (9.3)		
HBE59T-6 & HBE59T-7			59 (1500)			3	-	72	-	36.4 (11.1)		
HBE71T-6 & HBE71T-7			71 (1800)			3	-	94	-	42.4 (12.9)		
HNE28H-6 & HNE28H-7	1	1/2 (1.27)	27 (700)	-	3 (76.2)	2	-	28	-	-	-	175 (1205)
HNE40H-6 & HNE40H-7			40 (1000)			3	-	52	-	-		
HNE48H-6 & HNE48H-7			48 (1200)			3	-	64	-	-		
HNE59H-6 & HNE59H-7			59 (1500)			3	-	72	-	-		
HNE71H-6 & HNE71H-7			71 (1800)			3	-	94	-	-		
HNE28T-6 & HNE28T-7	1	3/4 (1.90)	27 (700)	-	3 (76.2)	2	-	28	-	-	-	175 (1205)
HNE40T-6 & HNE40T-7			40 (1000)			3	-	52	-	-		
HNE48T-6 & HNE48T-7			48 (1200)			3	-	64	-	-		
HNE59T-6 & HNE59T-7			59 (1500)			3	-	72	-	-		
HNE71T-6 & HNE71T-7			71 (1800)			3	-	94	-	-		



National Fire Equipment Ltd.

TORONTO: (905) 761-6355
Toll Free: (800) 267-8508

OTTAWA: (613) 723-6071

VANCOUVER: (604) 420-1131
Toll Free: (800)-667-2138

BURNABY: (604)-299-4498

EDMONTON: (780) 455-3870
Toll Free: (888)-891-1008

CALGARY: (403) 236-5661

MONCTON: (506) 859-7277
Toll Free: (877) 816-3473

MISSISSAUGA: (905) 565-1385

www.nationalfire.com



National Fire Equipment Ltd.

Ultra Sprinkflex Flexible Sprinkler Connections

HB1 FRICTION LOSS TABLE (FM)							
HOSE ASSEMBLIES	INLET SIZE (INCHES)	OUTLET ORIFICE SIZE (INCHES)	HOSE ASSEMBLY LENGTH IN. (mm)	MINIMUM BEND RADIUS IN. (mm)	NUMBER OF 90° BENDS	EQUIVALENT LENGTH OF 1 IN. SCHEDULE 40 PIPE, FT. (m)	RATED WORKING PRESSURE PSI (KPA)
HB1-28H	1	1/2 (1.27)	27 (700)	7 (180)	1	14.5 (4.4)	175 (1205)
HB1-40H			40 (1000)	7 (180)	2	20.8 (6.3)	
HB1-48H			48 (1200)	7 (180)	3	22.4 (6.8)	
HB1-59H			59 (1500)	7 (180)	3	31.4 (9.5)	
HB1-71H			71 (1800)	7 (180)	4	36.3 (11.0)	
HB1-28T	1	3/4 (1.90)	27 (700)	7 (180)	1	14.4 (4.3)	175 (1205)
HB1-40T			40 (1000)	7 (180)	2	20.7 (6.3)	
HB1-48T			48 (1200)	7 (180)	3	22.3 (6.7)	
HB1-59T			59 (1500)	7 (180)	3	31.3 (9.5)	
HB1-71T			71 (1800)	7 (180)	4	36.2 (11.0)	
HB1-28	N/A	N/A	28" HOSE BODY	7 (180)	1	4.3 (1.3)	175 (1205)
HB1-40			40" HOSE BODY	7 (180)	2	10.4 (3.1)	
HB1-48			48" HOSE BODY	7 (180)	3	12.2 (3.7)	
HB1-59			59" HOSE BODY	7 (180)	3	21.2 (6.4)	
HB1-71			71" HOSE BODY	7 (180)	4	26.1 (7.9)	
HB1C-ELB	N/A	N/A	90 REDUCER			4 (1.2)	175 (1205)
HB1C-SHDRP-H		1/2	SHORT REDUCER 1/2"			8.4 (2.5)	
HB1C-SHDRP-T		3/4	SHORT REDUCER 3/4"			8.2 (2.4)	
HB1C-LDRP-H		1/2	SHORT REDUCER 1/2"			9.2 (2.8)	
HB1C-LDRP-T		3/4	SHORT REDUCER 3/4"			9.1 (2.7)	
HB1C-XLDRP-H		1/2	LONG REDUCER 1/2"			11.4 (3.4)	
HB1C-XLDRP-T		3/4	LONG REDUCER 3/4"			11.2 (3.4)	
HB1C-HANGER	N/A	N/A	HANGER CONNECTION			1 (0.3)	175 (1205)
HB1C-WELD INLT		N/A	WELD INLET			0 (0)	
HB1C-NIPPLE INLT		N/A	THREAD INLET			1 (0.3)	
HB1C-GR INLT		N/A	1" CUT GROOVE INLET			1 (0.3)	

HB1 is a 1 in. nominal dia. flexible metal sprinkler hose for providing a connection to automatic sprinklers in commercial ceilings. These flexible sprinkler hose models are available as a three piece style. The three piece style, the reducer and Inlet is threaded to the flexible hose body. Above is listed with standard flexible hose assembly and component level. Approval of the flexible sprinkler hose models listed above are limited for use in commercial suspended ceilings with ceiling bracket systems manufactured by Anvil International, LLC.

- All friction loss testing was conducted with no sprinkler head, K-factor
- All components were friction loss tested separately
- All components such as reducers, hose body and outlets can be combined to provide a total equivalent length value.



National Fire
Equipment Ltd.

TORONTO: (905) 761-6355
Toll Free: (800) 267-8508

OTTAWA: (613) 723-6071

VANCOUVER: (604) 420-1131
Toll Free: (800)-667-2138

BURNABY: (604)-299-4498

EDMONTON: (780) 455-3870
Toll Free: (888)-891-1008

CALGARY: (403) 236-5661

MONCTON: (506) 859-7277
Toll Free: (877) 816-3473

MISSISSAUGA: (905) 565-1385

www.nationalfire.com

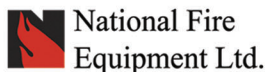


National Fire Equipment Ltd.

Ultra Sprinkflex Flexible Sprinkler Connections

HB1 FRICTION LOSS TABLE (UL)

HOSE ASSEMBLIES	INLET BY OUTLET (INCHES)	HOSE ASSEMBLY LENGTH IN. (mm)	MINIMUM BEND RADIUS IN. (mm)	MAX NUMBER OF 90° BENDS	EQUIVALENT LENGTH OF 1 IN. SCHEDULE 40 PIPE FT. (m)	MAX RATED WORKING PRESSURE PSI (KPA)
HB1-28-SHDRP-H & HB1-GR-28-SHDRP-H	1x1/2	26.5	2 (51)	4	16	175 (1205)
HB1-40-SHDRP-H & HB1-GR-40-SHDRP-H	1x1/2	37.5	2 (51)	5	21	
HB1-48-SHDRP-H & HB1-GR-48-SHDRP-H	1x1/2	45.5	2 (51)	8	34	
HB1-59-SHDRP-H & HB1-GR-59-SHDRP-H	1x1/2	57.5	2 (51)	10	45	
HB1-71-SHDRP-H & HB1-GR-71-SHDRP-H	1x1/2	69.5	2 (51)	12	55	
HB1-28-SHDRP-T & HB1-GR-28-SHDRP-T	1x3/4	26.5	2 (51)	4	15	175 (1205)
HB1-40-SHDRP-T & HB1-GR-40-SHDRP-T	1x3/4	37.5	2 (51)	5	23	
HB1-48-SHDRP-T & HB1-GR-48-SHDRP-T	1x3/4	45.5	2 (51)	8	34	
HB1-59-SHDRP-T & HB1-GR-59-SHDRP-T	1x3/4	57.5	2 (51)	10	48	
HB1-71-SHDRP-T & HB1-GR-71-SHDRP-T	1x3/4	69.5	2 (51)	12	55	
HB1-28-LDRP-H & HB1-GR-28-LDRP-H	1x1/2	29.5	2 (51)	4	16	175 (1205)
HB1-40-LDRP-H & HB1-GR-40-LDRP-H	1x1/2	40.5	2 (51)	5	20	
HB1-48-LDRP-H & HB1-GR-48-LDRP-H	1x1/2	48.5	2 (51)	8	34	
HB1-59-LDRP-H & HB1-GR-59-LDRP-H	1x1/2	60.5	2 (51)	10	44	
HB1-71-LDRP-H & HB1-GR-71-LDRP-H	1x1/2	72.5	2 (51)	12	56	
HB1-28-LDRP-T & HB1-GR-28-LDRP-T	1x3/4	29.5	2 (51)	4	15	175 (1205)
HB1-40-LDRP-T & HB1-GR-40-LDRP-T	1x3/4	40.5	2 (51)	5	23	
HB1-48-LDRP-T & HB1-GR-48-LDRP-T	1x3/4	48.5	2 (51)	8	34	
HB1-59-LDRP-T & HB1-GR-59-LDRP-T	1x3/4	60.5	2 (51)	10	48	
HB1-71-LDRP-T & HB1-GR-71-LDRP-T	1x3/4	72.5	2 (51)	12	56	
HB1-28-XLDRP-H & HB1-GR-28-XLDRP-H	1x1/2	35.2	2 (51)	4	16	175 (1205)
HB1-40-XLDRP-H & HB1-GR-40-XLDRP-H	1x1/2	46.2	2 (51)	5	23	
HB1-48-XLDRP-H & HB1-GR-48-XLDRP-H	1x1/2	54.1	2 (51)	8	35	
HB1-59-XLDRP-H & HB1-GR-59-XLDRP-H	1x1/2	66.2	2 (51)	10	48	
HB1-28-XLDRP-T & HB1-GR-28-XLDRP-T	1x3/4	35.2	2 (51)	4	15	
HB1-40-XLDRP-T & HB1-GR-40-XLDRP-T	1x3/4	46.2	2 (51)	5	23	
HB1-48-XLDRP-T & HB1-GR-48-XLDRP-T	1x3/4	54.1	2 (51)	8	35	
HB1-59-XLDRP-T & HB1-GR-59-XLDRP-T	1x3/4	66.2	2 (51)	10	48	
HB1CE-28-SHDRP-H & HB1CE-GR-28-SHDRP-H	1x1/2	30.5	2 (51)	4	18	175 (1205)
HB1CE-40-SHDRP-H & HB1CE-GR-40-SHDRP-H	1x1/2	41.5	2 (51)	5	23	
HB1CE-48-SHDRP-H & HB1CE-GR-48-SHDRP-H	1x1/2	49.5	2 (51)	8	36	
HB1CE-59-SHDRP-H & HB1CE-GR-59-SHDRP-H	1x1/2	61.5	2 (51)	10	48	
HB1CE-71-SHDRP-H & HB1CE-GR-71-SHDRP-H	1x1/2	73.5	2 (51)	12	57	
HB1CE-28-SHDRP-T & HB1CE-GR-28-SHDRP-T	1x3/4	30.5	2 (51)	4	17	175 (1205)
HB1CE-40-SHDRP-T & HB1CE-GR-40-SHDRP-T	1x3/4	41.5	2 (51)	5	25	
HB1CE-48-SHDRP-T & HB1CE-GR-48-SHDRP-T	1x3/4	49.5	2 (51)	8	36	
HB1CE-59-SHDRP-T & HB1CE-GR-59-SHDRP-T	1x3/4	61.5	2 (51)	10	49	
HB1CE-71-SHDRP-T & HB1CE-GR-71-SHDRP-T	1x3/4	73.5	2 (51)	12	57	
HB1CE-28-LDRP-H & HB1CE-GR-28-LDRP-H	1x1/2	33.5	2 (51)	4	18	175 (1205)
HB1CE-40-LDRP-H & HB1CE-GR-40-LDRP-H	1x1/2	44.5	2 (51)	5	22	
HB1CE-48-LDRP-H & HB1CE-GR-48-LDRP-H	1x1/2	52.5	2 (51)	8	36	
HB1CE-59-LDRP-H & HB1CE-GR-59-LDRP-H	1x1/2	64.5	2 (51)	10	46	



TORONTO: (905) 761-6355
Toll Free: (800) 267-8508

VANCOUVER: (604) 420-1131
Toll Free: (800)-667-2138

EDMONTON: (780) 455-3870
Toll Free: (888)-891-1008

MONCTON: (506) 859-7277
Toll Free: (877) 816-3473

OTTAWA: (613) 723-6071

BURNABY: (604)-299-4498

CALGARY: (403) 236-5661

MISSISSAUGA: (905) 565-1385

www.nationalfire.com



National Fire Equipment Ltd.

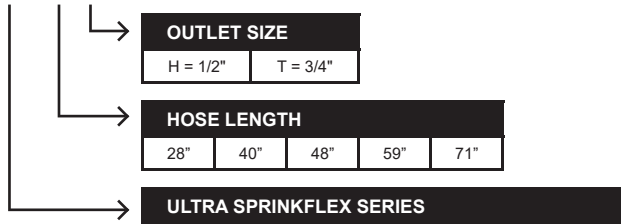
Ultra Sprinkflex Flexible Sprinkler Connections

HB1 FRICTION LOSS TABLE (UL) CONTINUED						
HOSE ASSEMBLIES	INLET BY OUTLET (INCHES)	HOSE ASSEMBLY LENGTH IN. (mm)	MINIMUM BEND RADIUS IN. (mm)	MAX NUMBER OF 90° BENDS	EQUIVALENT LENGTH OF 1 IN. SCHEDULE 40 PIPE FT. (m)	MAX RATED WORKING PRESSURE PSI (KPA)
HB1CE-28-LDRP-T & HB1CE-GR-28-LDRP-T	1x3/4	33.5	2 (51)	4	17	175 (1205)"
HB1CE-40-LDRP-T & HB1CE-GR-40-LDRP-T	1x3/4	44.5	2 (51)	5	25	
HB1CE-48-LDRP-T & HB1CE-GR-48-LDRP-T	1x3/4	52.5	2 (51)	8	36	
HB1CE-59-LDRP-T & HB1CE-GR-59-LDRP-T	1x3/4	64.5	2 (51)	10	49	

- Extra-long reducer, 13" reducers=, with HB1-71 length hose has not been evaluated by UL
- HB1Series is rated to be used in temperature of 225°F UL and 175°F FM.

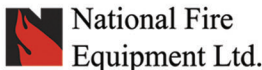
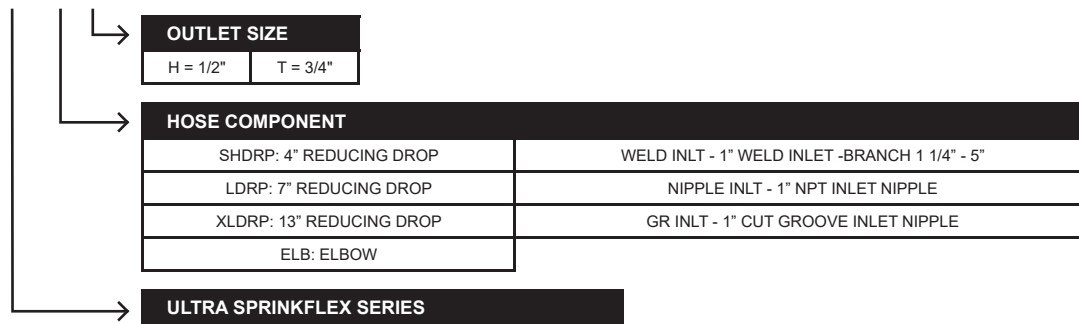
HOSE SERIES CONFIGURATION

HB1-XX-X



HOSE SERIES CONFIGURATION

HB1-XX-X



TORONTO: (905) 761-6355
Toll Free: (800) 267-8508

VANCOUVER: (604) 420-1131
Toll Free: (800)-667-2138

EDMONTON: (780) 455-3870
Toll Free: (888)-891-1008

MONCTON: (506) 859-7277
Toll Free: (877) 816-3473

OTTAWA: (613) 723-6071

BURNABY: (604)-299-4498

CALGARY: (403) 236-5661

MISSISSAUGA: (905) 565-1385

www.nationalfire.com

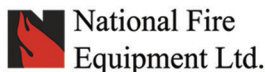


National Fire Equipment Ltd.

Ultra Sprinkflex Flexible Sprinkler Connections

IMPORTANT INSTALLATION INFORMATION

- SprinkFLEX products must be installed according to current, applicable National Fire Protection Association (NFPA 13, 13D, 13R, etc.) standards or equivalent standards for wet, dry, or pre-action systems. Deviations from these standards or alterations to SprinkFLEX products or sprinklers will void any warrant. In addition, installations must meet provision of the local authority having jurisdiction and local codes, as applicable.
- For suspended ceiling applications, the ends of the SprinkFLEX Bracket must be installed to the rails of an ASTM C635 ceiling installed in accordance with ASTM C636 standards.
- SprinkFLEX Stainless Steel Sprinkler Fittings and/or the SprinkFLEX Bracket must not be intermixed with other manufacturer's products.
- Refer to the specific product submittal for applications and listing information. These submittals are located on the website at www.anvilintl.com.
- Size the piping system to provide the minimum required flow rate for the sprinkler system.
- Flush the system to remove foreign material. Continue to flush the system until water runs clear.
- DO NOT install sprinkler system piping through heating ducts.
- DO NOT connect sprinkler system piping to domestic hot water systems.
- DO NOT install sprinklers where they will be exposed to temperatures that exceed the maximum ambient temperature rating for the sprinkler.
- The flexible stainless steel hose should not be bent or fluctuated up-and-down or side-to-side when it is pressurized for test.
- The HB & HN stainless steel hose should not be bent within 2 1/2 inches/64 mm of the connection nut at both ends.
- Flexible stainless steel hose and fittings have limited flexibility and are intended only to be installed with bends at their respective minimum bend radii.
- Protect wet piping systems for freezing temperatures.
- If construction is altered, refer to applicable standards to determine if additional sprinklers are required.
- The owner is responsible for maintaining the fire protection system in proper operating condition.
- For minimum maintenance and inspection requirements, refer to NFPA 25 and the NFPA pamphlet that describes the care and maintenance of sprinkler systems. In addition, the authority having jurisdiction may have additional maintenance, testing, and inspection requirements that must be followed.
- IPT48BKT1 has not been evaluated by UL.
- HB1 71 with extra long reducing drop has not been evaluated by UL.
- HB1 Elbow with extra long reducing drop has not been evaluated by UL.



National Fire
Equipment Ltd.

TORONTO: (905) 761-6355
Toll Free: (800) 267-8508

OTTAWA: (613) 723-6071

VANCOUVER: (604) 420-1131
Toll Free: (800)-667-2138

BURNABY: (604)-299-4498

EDMONTON: (780) 455-3870
Toll Free: (888)-891-1008

CALGARY: (403) 236-5661

MONCTON: (506) 859-7277
Toll Free: (877) 816-3473

MISSISSAUGA: (905) 565-1385

www.nationalfire.com