



STRIKE FIRST CORPORATION

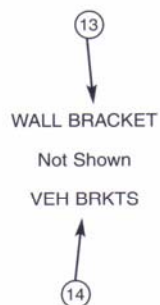
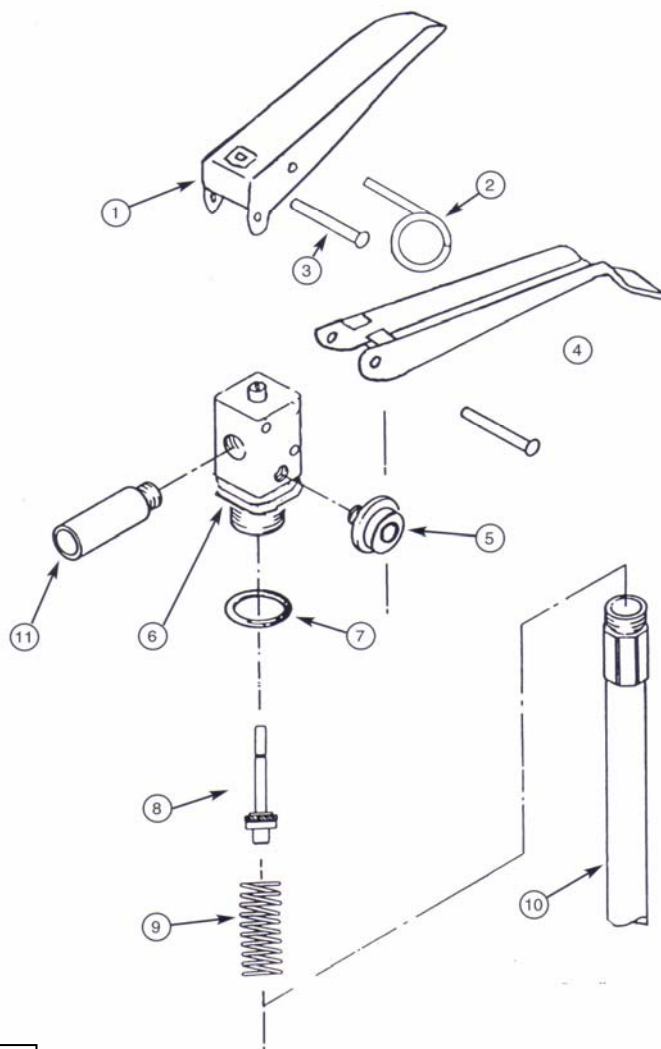
SERVICE MANUAL:
PART No. C250025

ABC-BC DRY CHEMICAL (2.5 lb)

ULC Rating: 1A - 10BC or 10BC

Model: WBDL-ABC110ST or WBDL-BC2.5

ITEM #	PART #	DESCRIPTION
1	C110414	Top Lever
2	C110236	Pull Pin
3	C110803	Handle Rivet
4	C110396	Carry Handle
5	G150PSI	Pressure Gauge
6	C110688	Valve Body
	C110700	Valve Body Assembly*
7	C110345	O'Ring (Valve Body) .115
8	C110427	Valve Stem Assembly
9	C110230	Spring
10	C110948	Syphon Tube Assembly
11	C110999	Fixed Nozzle (.116)
13	C160700	Wall Bracket
14	UP2	Vehicle Bracket



*** NOTE - Valve Body Assemblies include: Top Lever, Carry Handle, 2 x Rivets, Valve Body, Gauge, .115 O-Ring, Pull Pin & Retaining Strap**



STRIKE FIRST CORPORATION

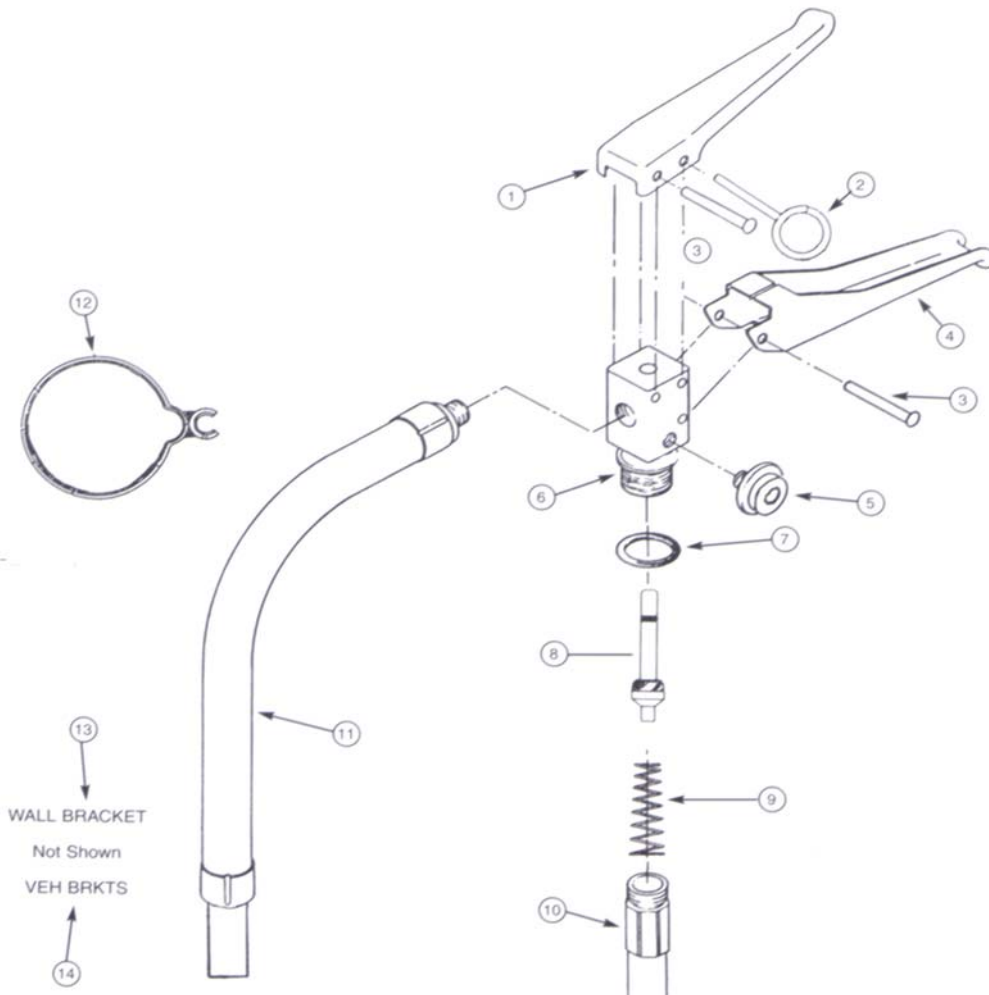
SERVICE MANUAL:
PART No. C250210

ABC-BC DRY CHEMICAL (5 lb)

ULC Rating: 3A - 10BC or 10BC

MODEL: WBDL-ABC310LV or WBDL-SB5

ITEM #	PART #	DESCRIPTION
1	C160414	Top Lever
2	C951236	Pull Pin
3	C162803	Handle Rivet
4	C160396	Carry Handle
5	G195PSI	Pressure Gauge
6	C160688	Valve Body
	C160700	Valve Body Assembly*
7	C161345	O'Ring (Valve Body) .118
8	C161428	Valve Stem Assembly
9	C161230	Spring
10	C163518	Syphon Tube Assembly
	C161605	Hose Assembly - ABC
11a	C160716	Fixed Nozzle - SB (Not Shown)
12	C160500	Hose Band
13	C160738	Wall Bracket
14	UB5 (CV500)	Vehicle Bracket



*** NOTE - Valve Body Assemblies include: Top Lever, Carry Handle, 2 x Rivets, Valve Body, Gauge, .118 O-Ring, Pull Pin & Retaining Strap**



STRIKE FIRST CORPORATION

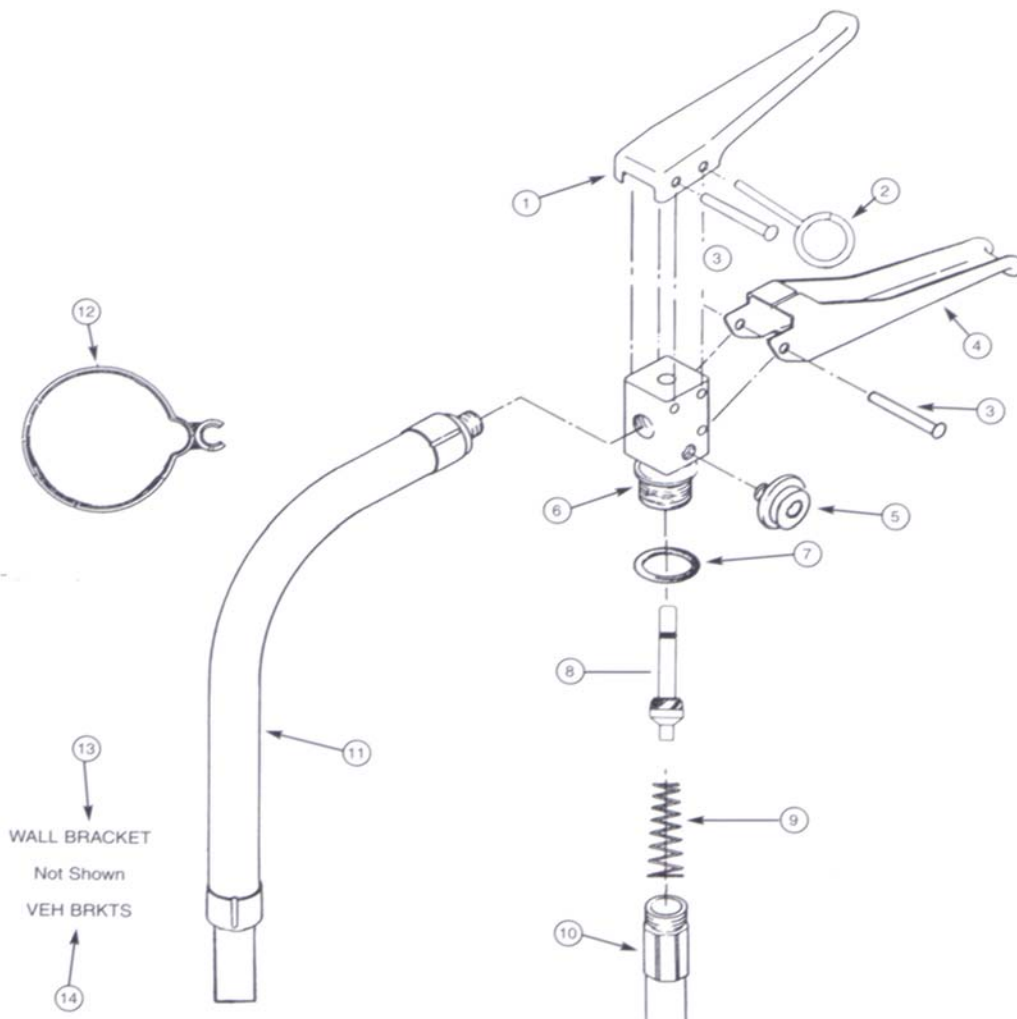
SERVICE MANUAL:
PART No. C250340

ABC-BC DRY CHEMICAL (5 lb)

ULC Rating: 3A - 40BC or 40BC

MODEL: WBDL-ABC340LV or WBDL-BC40

ITEM #	PART #	DESCRIPTION
1	C160414	Top Lever
2	C951236	Pull Pin
3	C162803	Handle Rivet
4	C160396	Carry Handle
5	G195PSI	Pressure Gauge
6	C160688	Valve Body
	C160700	Valve Body Assembly*
7	C161345	O'Ring (Valve Body) .118
8	C161428	Valve Stem Assembly
9	C161230	Spring
10	C163519	Syphon Tube Assembly
11	C161606	Hose Assembly
12	C160500	Hose Band
13	C160738	Wall Bracket
14	UB5 (CV500)	Vehicle Bracket



*** NOTE - Valve Body Assemblies include: Top Lever, Carry Handle, 2 x Rivets, Valve Body, Gauge, .118 O-Ring, Pull Pin & Retaining Strap**



STRIKE FIRST CORPORATION

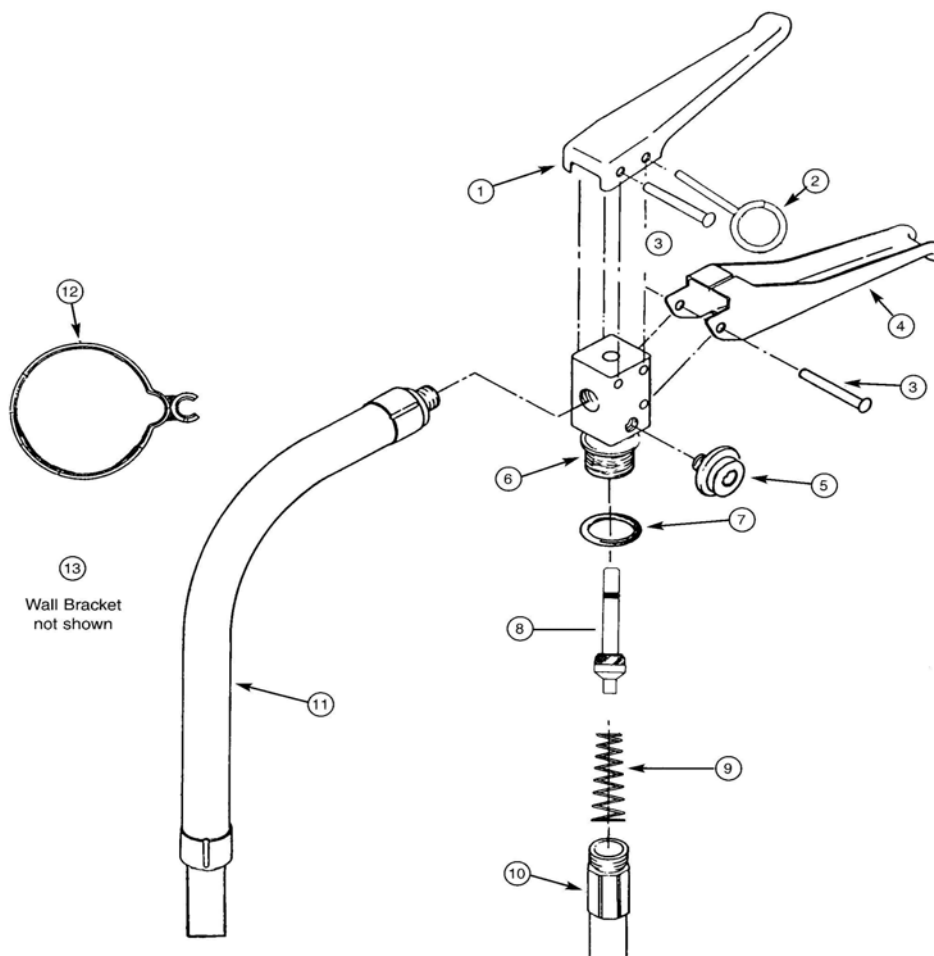
SERVICE MANUAL:
PART No. C250010

ABC-BC DRY CHEMICAL (10lb)

ULC Rating: 6A - 80BC or 60BC

MODEL: WBDL-ABC10 or WBDL-SB10

ITEM #	PART #	DESCRIPTION
1	C160414	Diamond Top Lever (Black Steel)
2	C951236	Pull Pin
3	C162803	Handle Rivet
4	C160396	Diamond Carry Handle (Black Steel)
5	G235PSI	Pressure Gauge
6	C160688	Valve Body
	C160710	Valve Body Assembly*
7	C161345	O'Ring (Valve Body) .118
8	C161428	Valve Stem Assembly
9	C161230	Spring
10	C163532	Syphon Tube Assembly
11	C162276	Hose Assembly (ABC & BC)
12	C160150	Hose Band
13	C160752	Wall Bracket



*** NOTE - Valve Body Assemblies include: Top Lever, Carry Handle, 2 x Rivets, Valve Body, Gauge, .118 O-Ring, Pull Pin & Retaining Strap**



STRIKE FIRST CORPORATION

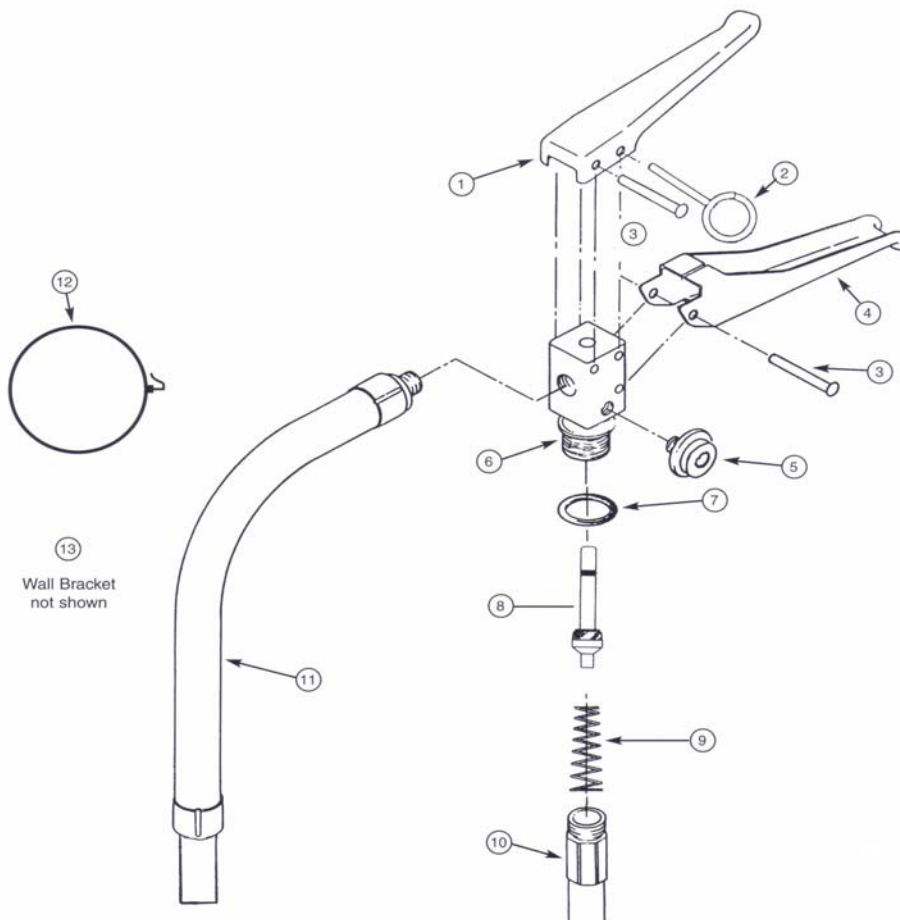
SERVICE MANUAL:
PART No. C250020

ABC-BC DRY CHEMICAL (20lb)

ULC Rating: 10A - 120BC or 80BC

MODEL: WBDL-ABC20 (WBDL-SB20)

ITEM #	PART #	DESCRIPTION
1	C160414	Diamond Top Lever (Black Steel)
2	C951236	Pull Pin
3	C162803	Handle Rivet
4	C160395	Diamond Carry Handle (Black Steel)
5	G235PSI	Pressure Gauge
6	C160688	Valve Body
	C160720	Valve Body Assembly*
7	C161345	O'Ring (Valve Body) .118
8	C161428	Valve Stem Assembly
9	C161230	Spring
10	C163549	Syphon Tube Assembly
11	C162269	Hose Assembly (ABC)
	C162272	Hose Assembly (BC)
12	C160200	Hose Band (Stainless Steel)
12a	C160478	Hose Band Clip Only
13	C160791	Wall Bracket



*** NOTE - Valve Body Assemblies include: Top Lever, Carry Handle, 2 x Rivets, Valve Body, Gauge, .118 O-Ring, Pull Pin & Retaining Strap**



STRIKE FIRST CORPORATION

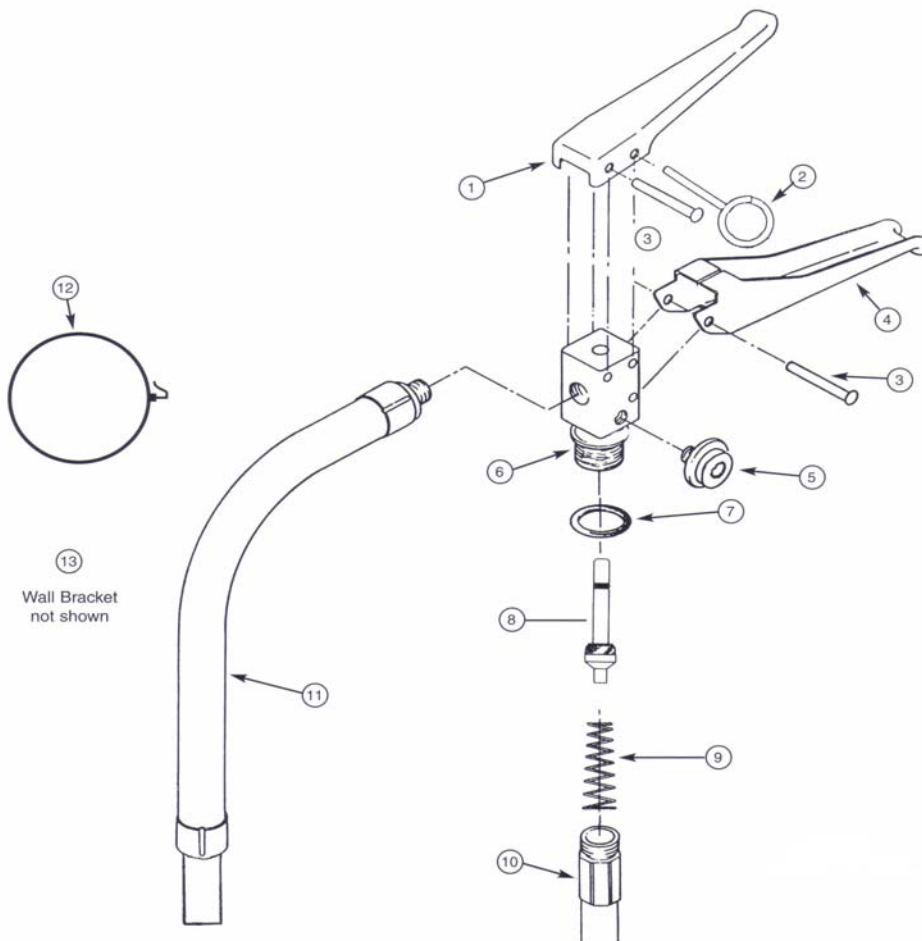
SERVICE MANUAL:
PART No. C250030

ABC-BC DRY CHEMICAL (30lb)

ULC Rating: 10A - 120BC

MODEL: WBDL-ABC30

ITEM #	PART #	DESCRIPTION
1	C160414	Diamond Top Lever (Black Steel)
2	C951236	Pull Pin
3	C162803	Handle Rivet
4	C160395	Diamond Carry Handle (Black Steel)
5	G195PSI	Pressure Gauge
6	C160688	Valve Body
	C160730	Valve Body Assembly*
7	C161345	O'Ring (Valve Body) .118
8	C161428	Valve Stem Assembly
9	C161230	Spring
10	C163550	Syphon Tube Assembly
11	C162270	Hose Assembly
12	C160200	Hose Band (Stainless Steel)
12a	C160478	Hose Band Clip Only
13	C160792	Wall Bracket



*** NOTE - Valve Body Assemblies include: Top Lever, Carry Handle, 2 x Rivets, Valve Body, Gauge, .118 O-Ring, Pull Pin & Retaining Strap**



STRIKE FIRST CORPORATION

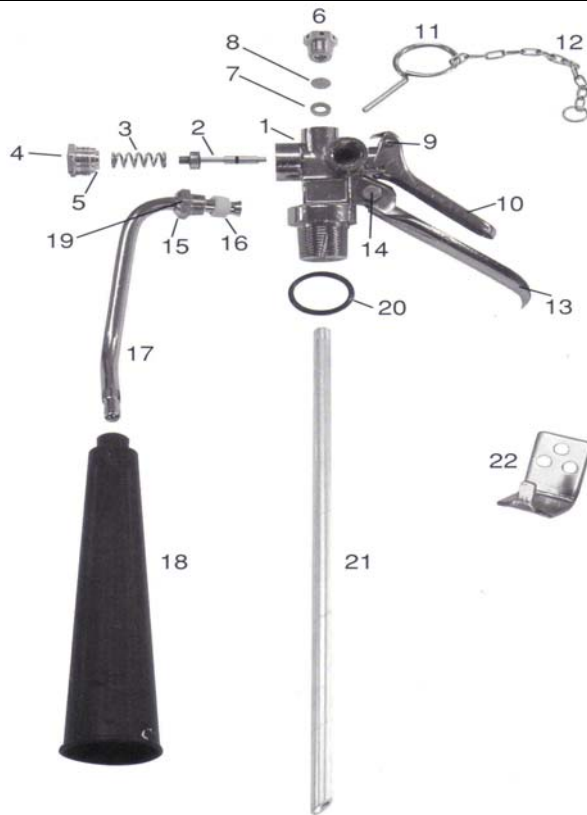
SERVICE MANUAL:
PART No. SF3115A1

CARBON DIOXIDE (5lb)

ULC Rating: 5BC

MODEL: SF-5CO2

ITEM #	PART #	DESCRIPTION
1	SF3115A1	VALVE BODY ASSEMBLY <i>Includes:</i> Valve Body Valve Stem & Spring O-Ring - Valve Body Spring Retainer Nut & Washer Top Lever - Stainless Steel Safety Cap, Washer & Disc Carry Handle - Stainless Steel Swivel Tube Assembly
2	SF31132	STEM ASSEMBLY
3	SF31142	SPRING
4	SF31143	SPRING RETAINER NUT ASSEMBLY
5	-	WASHER (<i>Included with SF31143</i>)
6	SF31145	SAFETY CAP ASSEMBLY
7	-	WASHER (<i>Included with SF31145</i>)
8	-	DISK (<i>Included with SF31145</i>)
9	SF31138	TOP LEVER RIVET (STAINLESS STEEL)
10	SF31152	TOP LEVER (STAINLESS STEEL)
11	SF31153	PULL PIN (STAINLESS STEEL)
12	SF31135	CHAIN (STAINLESS STEEL)
13	SF31148	CARRY HANDLE (STAINLESS STEEL)
14	SF31148	CARRY HANDLE NUT & BOLT (STAINLESS STEEL)
15	SF31131	SWIVEL TUBE ASSEMBLY
16		
17		
18	SF11309	HORN
19	-	O-RING - SWIVEL TUBE (<i>Included with SF31131</i>)
20	SF20917	O-RING - VALVE BODY
21	SF5ST	SIPHON TUBE
22	SF5WH	WALL HOOK





STRIKE FIRST CORPORATION

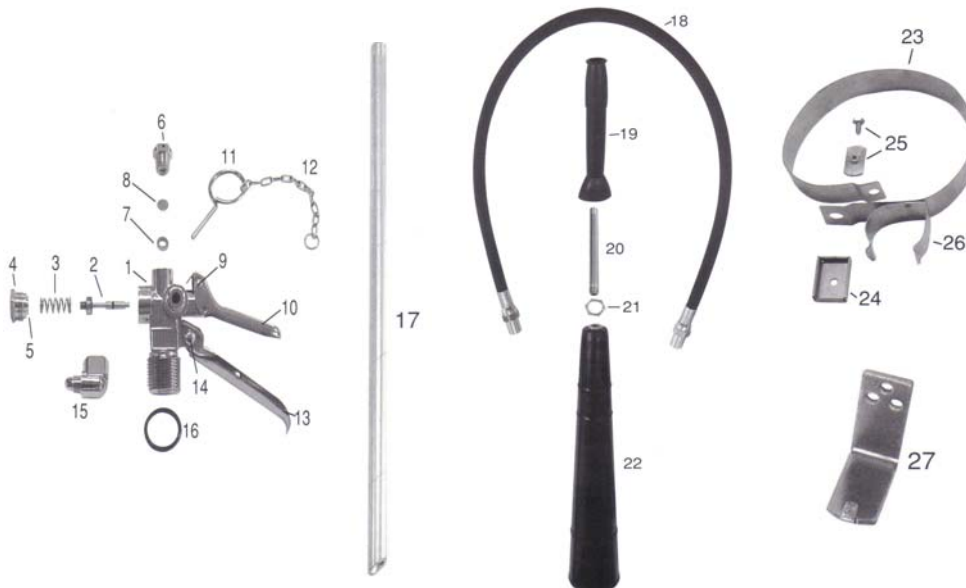
CARBON DIOXIDE (10lb, 15lb & 20lb)

ULC Rating: 10BC

MODELS: SF-10CO2, SF-15CO2, SF-20CO2

SERVICE MANUAL:
PART No. SFCO2-1

ITEM #	PART #	DESCRIPTION
1	SF31151	VALVE BODY ASSEMBLY <i>Includes:</i> Valve Body Valve Stem & Spring O-Ring - Valve Body Spring Retainer Nut & Washer Top Lever - Stainless Steel Safety Cap, Washer & Disc Carry Handle - Stainless Steel Elbow
2	SF31132	STEM ASSEMBLY
3	SF31142	SPRING
4	SF31143	SPRING RETAINER NUT
5	-	WASHER (<i>Included with SF31143</i>)
6	SF31145	SAFETY CAP ASSEMBLY
7	-	WASHER (<i>Included with SF31145</i>)
8	-	DISK (<i>Included with SF31145</i>)
9	SF31138	TOP LEVER RIVET (STAINLESS STEEL)
10	SF31152	TOP LEVER (STAINLESS STEEL)
11	SF31153	PULL PIN (STAINLESS STEEL)
12	SF31135	CHAIN (STAINLESS STEEL)
13	SF31148	CARRY HANDLE (STAINLESS STEEL)
14	SF31148	CARRY HANDLE NUT & BOLT (STAINLESS STEEL)
15	SF31146	ELBOW
16	SF20217	O-RING - VALVE BODY
17	SF10ST	SIPHON TUBE- 10 LB.
	SF1520ST	SIPHON TUBE- 15 & 20 LB.
18	SF36A	HOSE
19	SF21204	RUBBER GRIP
20	SF21202	CO2 HORN 6" DISCHARGE PIPE NIPPLE
21	SF21273	HORN DIFFUSER LOCK NUT
22	SF21251	HORN- 10 LB.
	SF21271	HORN- 15 & 20 LB.
23	SF1015BD	BAND ASSEMBLY 10 & 15 LB.
	SF20BD	BAND ASSEMBLY 20 LB.
24	SF10031	BAND HOUSING
25	SF20111	BAND RETAINER NUT AND BOLT
26	-	HORN HOLDER CLIP (<i>Included with Part 23</i>)
27	SF1015WH	WALL HOOK 10 & 15 LB.
	SF20WH	WALL HOOK 20 LB.





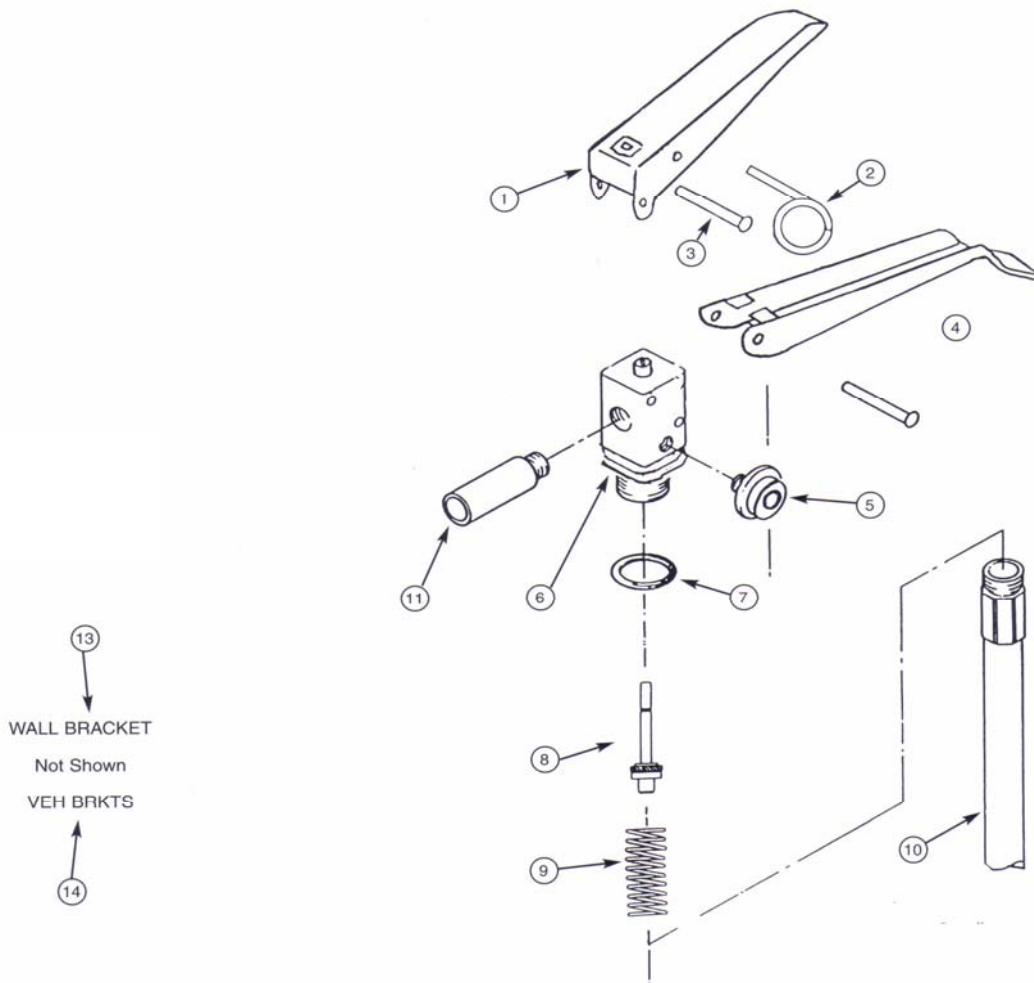
STRIKE FIRST CORPORATION

ABC-BC DRY CHEMICAL (2.5lb)

ULC Rating: 1A - 10BC or 5BC

MODEL: WBSF-110P (WBSF-SB2.5) Aluminum Cylinder

ITEM #	PART #	DESCRIPTION
1	C110414	Top Lever
2	C110236	Pull Pin
3	C110803	Handle Rivet
4	C110396	Carry Handle
5	G150PSI	Pressure Gauge
6	C110688	Valve Body
	C110700	Valve Body Assembly*
7	C110345	O'Ring (Valve Body) .115
8	C110427	Valve Stem Assembly
9	C110230	Spring
10	C110947	Syphon Tube Assembly
11	C110999	Fixed Nozzle
13	C160700	Wall Bracket
14	UP2	Vehicle Bracket



*** NOTE - Valve Body Assemblies include: Top Lever, Carry Handle, 2 x Rivets, Valve Body, Gauge, .115 O-Ring, Pull Pin & Retaining Strap**



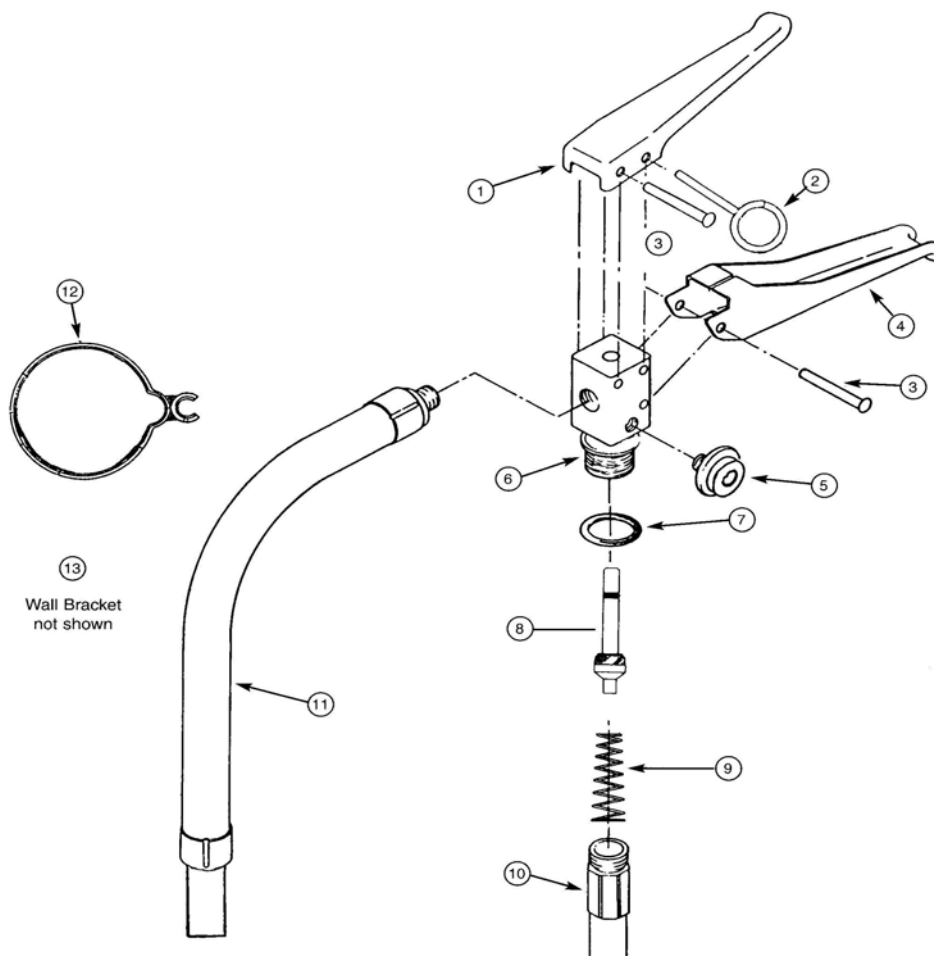
STRIKE FIRST CORPORATION

ABC-BC DRY CHEMICAL (5lb)

ULC Rating: 3A - 10BC or 10BC

MODEL: WBSF-ABC5 (WBSF-SB5)

ITEM #	PART #	DESCRIPTION
1	C160413	Top Lever (Aluminum)
2	C951236	Pull Pin
3	C162803	Handle Rivet
4	C160394	Carry Handle (Aluminum)
5	G195PSI	Pressure Gauge
6	C160688	Valve Body
7	C161345	O'Ring (Valve Body) .118
8	C161428	Valve Stem Assembly
9	C161230	Spring
10	C163517	Syphon Tube Assembly
11	C162275	Hose Assembly - ABC
11a	C160716	Fixed Nozzle - BC (Not Shown)
12	C160500	Hose Band
13	C160738	Wall Bracket





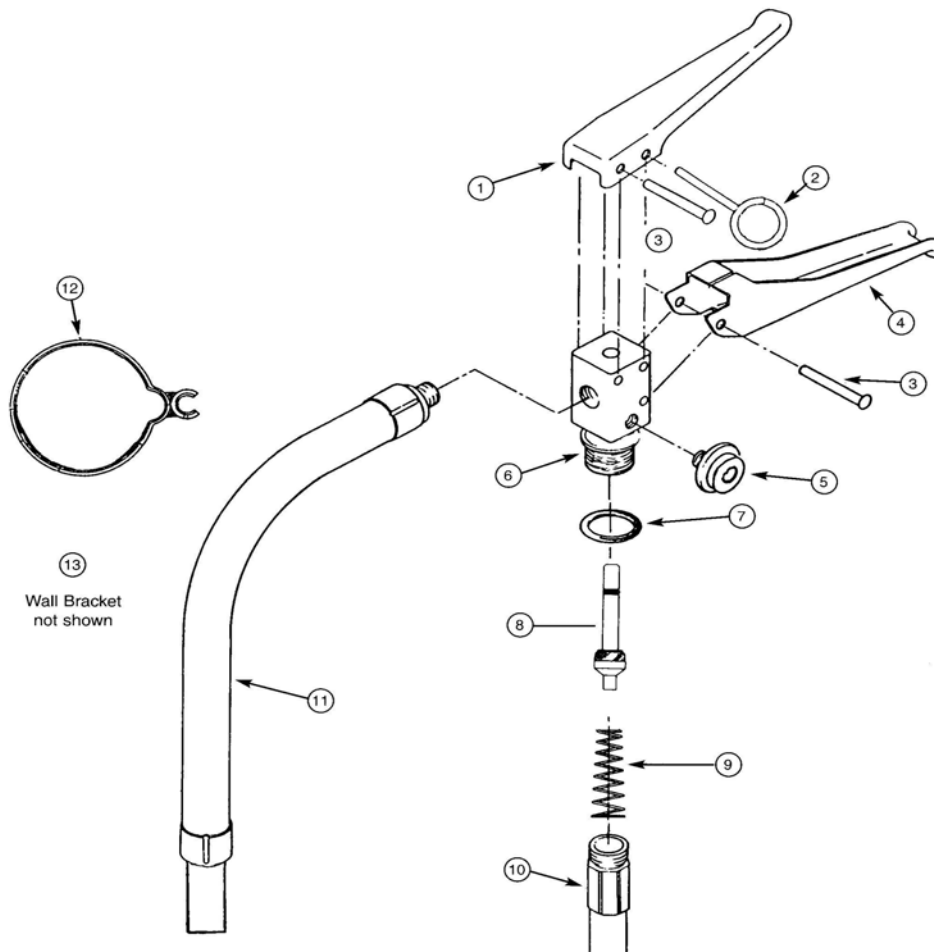
STRIKE FIRST CORPORATION

ABC-BC DRY CHEMICAL (10lb)

ULC Rating: 6A - 80BC

MODEL: WBSF-ABC10 or WBSF-SB10

ITEM #	PART #	DESCRIPTION
1	C160413	Top Lever (Aluminum)
2	C951236	Pull Pin
3	C162803	Handle Rivet
4	C160394	Carry Handle (Aluminum)
5	G195PSI	Pressure Gauge
6	C160688	Valve Body
7	C161345	O'Ring (Valve Body) .118
8	C161428	Valve Stem Assembly
9	C161230	Spring
10	C163531	Syphon Tube Assembly
11	C162275	Hose Assembly (ABC & BC)
12	C160100	Hose Band
13	C160752	Wall Bracket





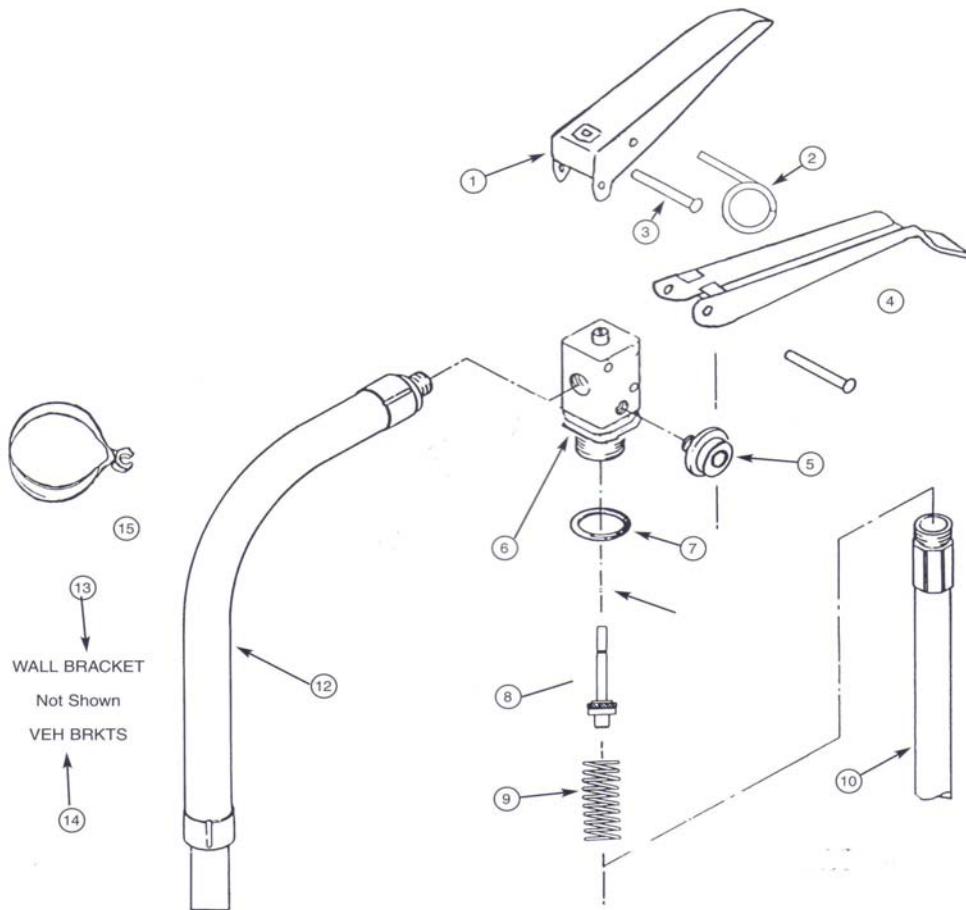
STRIKE FIRST CORPORATION

ABC-BC DRY CHEMICAL (5lb)

ULC Rating: 3A - 10BC or 10BC

MODEL: WBDL-ABC310P (WBDL-SB5)

ITEM #	PART #	DESCRIPTION
1	C310415	Top Lever
2	C110236	Pull Pin
3	C110803	Handle Rivet
4	C110396	Carry Handle
5	G195PSI	Pressure Gauge
6	C110688	Valve Body
7	C110345	O'Ring (Valve Body) .115
8	C110427	Valve Stem Assembly
9	C110230	Spring
10	C310517	Syphon Tube Assembly
12	C310605	Hose Assembly
13	C310740	Wall Bracket
14	UP5	Vehicle Bracket
15	C160500	Hose Band





STRIKE FIRST CORPORATION

ABC DRY CHEMICAL (5lb)

ULC Rating: 3A - 40BC

MODEL: WBDL-ABC340P

ITEM #	PART #	DESCRIPTION
1	C310415	Top Lever
2	C110236	Pull Pin
3	C110803	Handle Rivet
4	C110396	Carry Handle
5	G195PSI	Pressure Gauge
6	C110688	Valve Body
7	C110345	O'Ring (Valve Body) .115
8	C110427	Valve Stem Assembly
9	C110230	Spring
10	C340518	Syphon Tube Assembly
12	C340605	Hose Assembly
13	C310740	Wall Bracket
14	UP5	Vehicle Bracket
15	C160500	Hose Band

