



National Fire
Equipment Ltd.

Model ESFR-22 Pendent Sprinkler

tyco



Features & Benefits

- Ceiling Height of 45 ft. (13,7 m)
- Storage Arrangement of 40 ft. (12,2 m)
- Maximum Working Pressure 175psi (12,1 bar)
- Commodity Flexibility (see full list on back)
- UL and C-UL Listed
- FM Approved

The Model ESFR-22 Pendent Sprinkler joins the TYCO product range of Early Suppression, Fast Response sprinklers.

At-A-Glance

Developed for use in warehouses and other storage applications, the Model ESFR-22 Pendent Sprinkler (TY8223) uses a fast response fusible link and is approved for a variety of stored material.

With a nominal K-Factor of 22.4, this suppression-mode sprinkler is especially advantageous as a means of eliminating the use of an in-rack sprinkler system when protecting high-piled storage. The ESFR-22 sprinkler can protect a storage arrangement of 40 ft. (12,2 m) with a ceiling height of 45 ft. (13,7 m). In addition, it can be installed with a maximum deflector-to-ceiling distance of 18 in. (460 mm).



National Fire
Equipment Ltd.

TORONTO: (905) 761-6355
Toll Free: (800) 267-8508

OTTAWA: (613) 723-6071

VANCOUVER: (604) 420-1131
Toll Free: (800)-667-2138

BURNABY: (604)-299-4498

EDMONTON: (780) 455-3870
Toll Free: (888)-891-1008

CALGARY: (403) 236-5661

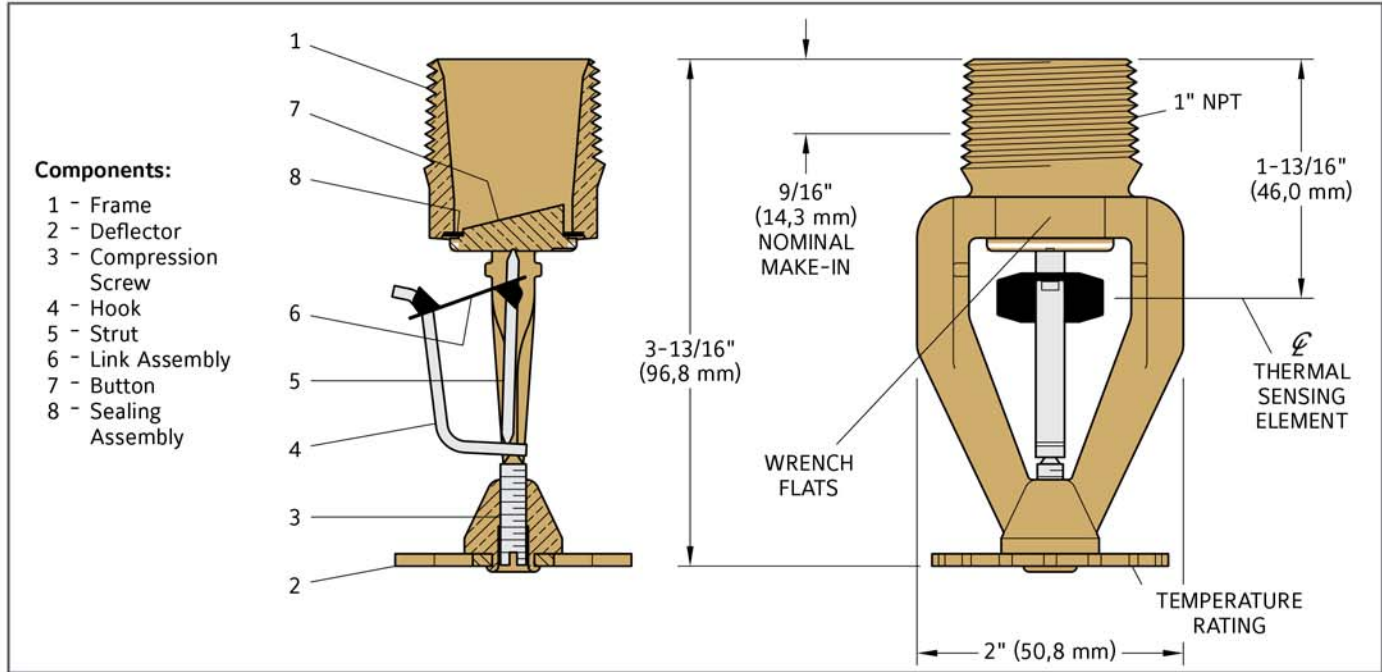
MONCTON: (506) 859-7277
Toll Free: (877) 816-3473

MISSISSAUGA: (905) 565-1385

www.nationalfire.com

Model ESFR-22 Pendent Sprinkler

22.4 K-Factor, Early Suppression, Fast Response (TY8223)



Commodity Selection and Design Criteria Overview for Model ESFR-22 Pendent Sprinklers

Storage Type	NFPA	FM Global
Open Frame (no solid shelves) Single, Double, Multiple-Row, or Portable Rack Storage of Class I-IV and Group A or B Plastics	Refer to NFPA 13 Chapters 16 and 17	Refer to FM Global 2-0 and 8-9
Solid Pile or Palletized Storage of Class I-IV and Group A or B Plastics	Refer to NFPA 13 Chapters 14 and 15	Refer to FM Global 2-0 and 8-9
Idle Pallet Storage	Refer to NFPA 13 Chapter 12	Refer to FM Global 2-0, 8-9, and 8-24
Rubber Tire Storage	Refer to NFPA 13 Chapter 18	Refer to FM Global 2-0 and 8-3
Roll Paper Storage (Refer to the Standard)	Refer to NFPA 13 Chapter 19	Refer to FM Global 8-21
Flammable/Ignitable Liquid Storage (Refer to the Standard)	Refer to NFPA 30	Refer to FM Global 7-29
Aerosol Storage (Refer to the Standard)	Refer to NFPA 30B	Refer to FM Global 7-31
Automotive Components in Portable Racks (Control mode only; refer to the Standard)	N/A	N/A

N/A - Not Applicable

Always refer to the Technical Data Sheet TFP321 and our general T&C of sale for complete description of all criteria, design parameters, installation instructions, care and maintenance guidelines, and other terms such as our limited warranty.