



National Fire Equipment Ltd.

Model EC-8C Extended Coverage Corridor Sprinkler

Tyco® EC-8C Extended Coverage Corridor Sprinklers

Features

- Designed to have a rectangular spray pattern for corridors and hallways
- Pendant Style, Style 30 and Style 40 escutcheons (1/2" and 3/4" adjustability)
- 8.0k, 3/4" NPT
- Up to 28' x 10' coverage area
- Commercial Light Hazard (0.1 gal/min/ft²)

Benefits

- 8.0k orifice for low pressure performance
- Our EC-8C 8.0k requires only 12.3 psi at 28' x 10'
- Our EC-8C 8.0k requires only 8.3 psi at 28' x 4'

Temperature Options

- 155°F (68°C)
- 200°F (93°C)

Product Finish Options

- Brass
- Signal White (RAL9003)
- Chrome Plated
- Pure White (RAL9010)
- Jet Black (RAL9005)



EC-8C Extended Coverage Corridor Sprinkler– Specification Language

Extended Coverage Pendant sprinklers used to protect light hazard occupancies shall be equal to **Tyco Model EC-8C** (TY4282 Pendant 8.0K – 3/4" NPT). Where Extended Coverage Pendant sprinklers are specified **to protect up to 28' x 10' rectangular coverage areas in light hazard occupancies**, they shall be specifically listed for such use. Sprinklers shall be of an all brass frame construction, with a metal sealing button coated w/ Teflon film. Sprinklers shall have a nominal K-factor of 8.0. Quick Response sprinklers shall have a fast response glass bulb thermally sensitive operating element. Where corrosion resistant coatings are desired to extend the life of copper alloy sprinklers beyond that which would otherwise be obtained when exposed to corrosive atmospheres polyester coatings as appropriate for the hazard shall be utilized. Sprinklers installed under a finished ceiling shall be a pendant style sprinkler with a Tyco Style #30 or Style #40 adjustable recessed escutcheon, of the same specified finish. Sprinklers shall be UL listed.

Applications where customers would use a corridor sprinkler:

Commercial Light Hazard Occupancies

- Hotels
- Offices
- Dormitories
- Hospitals
- NFPA 13/13R mixed use occupancies



National Fire
Equipment Ltd.

TORONTO: (905) 761-6355
Toll Free: (800) 267-8508

OTTAWA: (613) 723-6071

VANCOUVER: (604) 420-1131
Toll Free: (800)-667-2138

BURNABY: (604)-299-4498

EDMONTON: (780) 455-3870
Toll Free: (888)-891-1008

CALGARY: (403) 236-5661

MONCTON: (506) 859-7277
Toll Free: (877) 816-3473

MISSISSAUGA: (905) 565-1385

www.nationalfire.com

National Fire Equipment Ltd.

EC-8C Extended Coverage Corridor Sprinkler- Installation

tyco

Worldwide Contacts www.tyco-fire.com

Series EC-8C - 8.0 K-factor Extended Coverage Light Hazard, Quick Response Pendent and Recessed Pendent Sprinklers for Corridors and Hallways

General Description

The EC-8C 8.0 K-factor Extended Coverage, Light Hazard, Quick Response Pendent and Recessed Pendent Sprinklers are UL Listed and were specifically designed for use in long, narrow spaces such as corridors or hallways with a maximum coverage area of 28 ft by 10 ft (8.5 m x 3.1 m). Fewer sprinklers and lower system pressure demands are required as compared to the traditional extended coverage sprinklers. Series EC-8C sprinklers are intended for use in automatic sprinkler systems designed in accordance per NFPA 13.

The recessed version of the Series EC-8C, Pendent Sprinkler intended for use in areas with a finished ceiling, uses either the two-piece Style 30 or 40 Recessed Escutcheon. The Style 30 Recessed Escutcheon provides up to 1/2 in. (12.7 mm) of total adjustment from the flush pendent position, whereas the Style 40 provides 3/4 in. (19.1 mm) of vertical adjustment from the flush pendent position. The adjustment provided by the Recessed Escutcheons reduces the accuracy to which the feed pipe drops to the sprinklers must be cut.

Corrosion resistant coatings, where applicable, are utilized to extend the life of copper alloy sprinklers beyond that which would otherwise be obtained when exposed to corrosive atmospheres. Although corrosion resistant



coated sprinklers have passed the standard corrosion tests of the applicable approval agencies, the testing is not representative of all possible corrosive atmospheres. Consequently, it is recommended that the end user be consulted with respect to the suitability of these corrosion resistant coatings for any given corrosive environment. The effects of ambient temperature, concentration of chemicals, and gas/chemical velocity, should be considered, as a minimum, along with the corrosive nature of the chemical to which the sprinklers will be exposed.

NOTICE
The Series EC-8C Pendent Sprinklers described herein must be installed and maintained in compliance with this document, as well as with the applicable standards of the NATIONAL FIRE PROTECTION ASSOCIATION, in addition to the standards of any other authorities having jurisdiction. Failure to do so may impair the performance of these devices.

The owner is responsible for maintaining their fire protection system and devices in proper operating condition. Contact the installing contractor or product manufacturer with any questions.

Corrosion Resistant Coatings
The Series EC-8C Pendent Sprinklers described herein must be installed and maintained in compliance with this document, as well as with the applicable standards of the NATIONAL FIRE PROTECTION ASSOCIATION, in addition to the standards of any other authorities having jurisdiction. Failure to do so may impair the performance of these devices.

Discharge Coefficients
K=8.0 gpm/ft² (119.2 gpm/m²)
Temperature Ratings
500°F (260°C)
580°F (300°C)
700°F (370°C)

Finish
Sprinkler: Natural Brass, Signal White Polyester Coated, Pure White Polyester Coated, Jet Black Polyester Coated, or Chrome Plated
Recessed Escutcheon: Natural Brass, Signal White, Pure White, Jet Black, Chrome Plated

Physical Characteristics
Branch: 1/2 in. (12.7 mm) Brass/Copper
Sealing Assembly: 1/2 in. (12.7 mm) Brass/Copper
Bulb: 3/8 in. (9.5 mm) Glass (2 mm dia.)
Compression Spring: 1/2 in. (12.7 mm) Brass
Deflector: 1/2 in. (12.7 mm) Brass

Approvals
UL Listed

Note: Sprinklers with a polyester finish are UL Listed as corrosion resistant sprinklers.

Maximum Working Pressure
250 psi (17.2 bar)

Pipe Thread Connection
3/4 in. NPT

IMPORTANT
Refer to Technical Data Sheet TFP2200 for warnings pertaining to regulatory and health information. Always refer to Technical Data Sheet TFP2200 for the "INSTALLER WARNING" that provides cautions with respect to handling and installation of sprinkler systems and components. Improper handling and installation can permanently damage a sprinkler system or its components and cause the sprinkler to fail to operate in a fire situation or cause it to operate prematurely.

Page 1 of 4

NOVEMBER 2010

TFP226

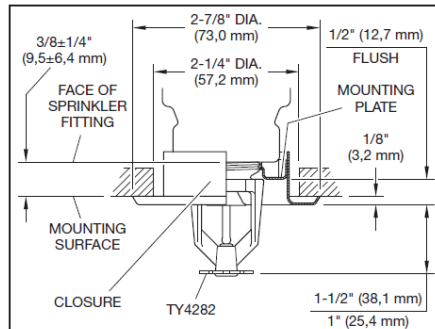


FIGURE 2
SERIES EC-8C RECESSED PENDENT SPRINKLER WITH TWO-PIECE 1/2 INCH TOTAL ADJUSTMENT STYLE 30 RECESSED ESCUTCHEON

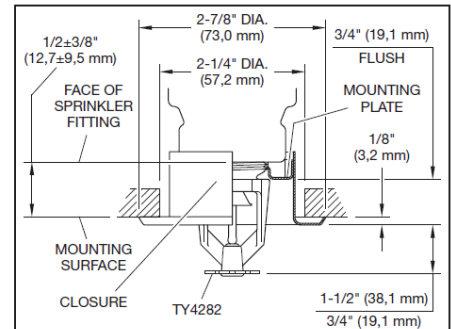


FIGURE 3
SERIES EC-8C RECESSED PENDENT SPRINKLER WITH TWO-PIECE 3/4 INCH TOTAL ADJUSTMENT STYLE 40 RECESSED ESCUTCHEON

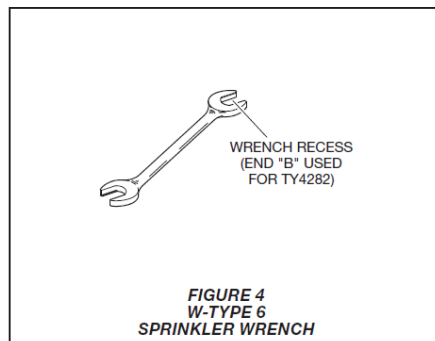


FIGURE 4
W-TYPE 6 SPRINKLER WRENCH

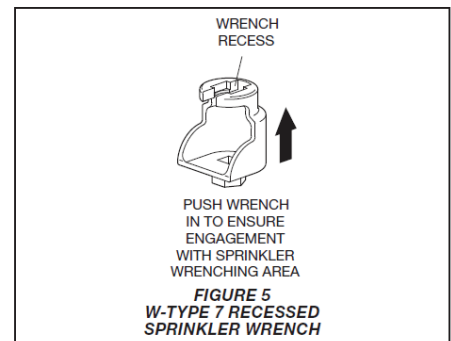


FIGURE 5
W-TYPE 7 RECESSED SPRINKLER WRENCH

Competitive Landscape – Corridor Sprinklers

Types of Corridor Sprinklers:

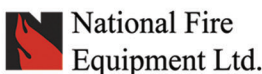
- Spray type (pendent, HSW)
- Wet (traditional automatic sprinkler) and Dry Barrel
- K-factor
- Finish (concealed vs. recessed, or corrosion resistant offerings)

Pendent

- JCI is offering the EC-8C recessed product now, with a future flat plate concealed version
- Our EC-8C 8.0k requires only 12.3 psi at 28' x 10'
- Our EC-8C 8.0k requires only 8.3 psi at 28' x 8'
- Competitive recessed, dome concealed and flat plate concealed 5.6k sprinklers
- These products at 5.6k require 25 psi for 28' x 10'

Horizontal Sidewall

- Competitive Dry Sidewall 8.0k corridor sprinkler in standard, deep, recessed and dome concealed
- Requires 25.0 psi at 28' x 14'
- Competitive Sidewall 8.0k corridor sprinkler with either flush or recessed escutcheons
- Requires 18.1 psi at 28' x 12'
- Requires 25.0 psi at 28' x 14'
- JCI does not currently have a HSW corridor sprinkler offering



TORONTO: (905) 761-6355

Toll Free: (800) 267-8508

VANCOUVER: (604) 420-1131

Toll Free: (800)-667-2138

EDMONTON: (780) 455-3870

Toll Free: (888)-891-1008

MONCTON: (506) 859-7277

Toll Free: (877) 816-3473

OTTAWA: (613) 723-6071

BURNABY: (604)-299-4498

CALGARY: (403) 236-5661

MISSISSAUGA: (905) 565-1385

www.nationalfire.com



National Fire Equipment Ltd.

EC-8C Extended Coverage Corridor Sprinklers – Part Numbers

Sprinkler Assembly

Specify: Series EC-8C (TY4282), K=8.0, Extended Coverage, Light Hazard Quick Response, Pendent Sprinkler, (specify) temperature rating, (specify) finish, P/N (specify):

155°F (68°C)

Natural Brass	57-351-1-155
Signal White (RAL9003)	
Polyester	57-351-4-155
Chrome Plated	57-351-9-155
Pure White (RAL9010)	
Polyester	57-351-3-155
Jet Black (RAL9005)	
Polyester	57-351-5-155

200°F (93°C)

Natural Brass	57-351-1-200
Signal White (RAL9003)	
Polyester	57-351-4-200
Chrome Plated	57-351-9-200
Pure White (RAL9010)	
Polyester	57-351-3-200
Jet Black (RAL9005)	
Polyester	57-351-5-200

Recessed Escutcheon

Specify: Style (30 or 40) Recessed Escutcheon with (specify*) finish, P/N (specify*)

*Refer to Technical Data Sheet TFP770

Sprinkler Wrench

Specify: W-Type 6 Sprinkler Wrench, P/N 56-000-6-387

Specify: W-Type 7 Recessed Sprinkler Wrench, P/N 56-850-4-001

