



Date: _____

Customer Order#: _____

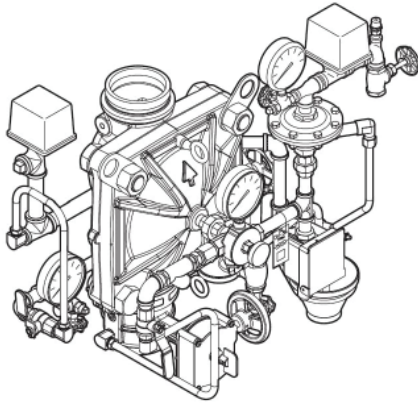
BILL THIS ORDER TO:

Name: _____
 Address: _____
 City: _____ Prov: _____
 Phone: _____ Postal Code: _____
 Attention: _____

SHIP THIS ORDER TO:

Name: _____
 Address: _____
 City: _____ Prov: _____
 Phone: _____ Postal Code: _____
 Attention: _____

DV-5A Pre-Trimmed Deluge Systems - Wet Pilot, Dry Pilot, Or Electric Pilot



- Each Pre-Trimmed Valve Contains:**
- Deluge Valve
 - Galvanized Actuation Trim
 - Pressure Switch(es)
 - Dry Pneumatic Actuator
 - Electric Solenoid Valve
 - Butterfly Valve
 - Couplings
- Each Pre-Trimmed Valve System is Individually Palletized and Packaged

Size	Description	Part No.	Qty:
Pre-Trimmed, Deluge Wet Pilot Actuation, Groove x Groove			
1-1/2"	Pre-Trimmed DV-5A Deluge Valve with Wet Pilot Actuation-Galvanized	551010115	
2"	Pre-Trimmed DV-5A Deluge Valve with Wet Pilot Actuation-Galvanized	551010120	
3"	Pre-Trimmed DV-5A Deluge Valve with Wet Pilot Actuation-Galvanized	551010130	
4"	Pre-Trimmed DV-5A Deluge Valve with Wet Pilot Actuation-Galvanized	551010140	
6"	Pre-Trimmed DV-5A Deluge Valve with Wet Pilot Actuation-Galvanized	551010160	
8"	Pre-Trimmed DV-5A Deluge Valve with Wet Pilot Actuation-Galvanized	551010180	
Pre-Trimmed, Deluge Dry Pilot Actuation, Groove x Groove			
1-1/2"	Pre-Trimmed DV-5A Deluge Valve with Dry Pilot Actuation-Galvanized	551010215	
2"	Pre-Trimmed DV-5A Deluge Valve with Dry Pilot Actuation-Galvanized	551010220	
3"	Pre-Trimmed DV-5A Deluge Valve with Dry Pilot Actuation-Galvanized	551010230	
4"	Pre-Trimmed DV-5A Deluge Valve with Dry Pilot Actuation-Galvanized	551010240	
6"	Pre-Trimmed DV-5A Deluge Valve with Dry Pilot Actuation-Galvanized	551010260	
8"	Pre-Trimmed DV-5A Deluge Valve with Dry Pilot Actuation-Galvanized	551010280	
Pre-Trimmed, Deluge Electric Pilot Actuation, Groove x Groove			
1-1/2"	Pre-Trimmed DV-5A Deluge Valve with Electric Pilot Actuation-Galvanized	551010315	
2"	Pre-Trimmed DV-5A Deluge Valve with Electric Pilot Actuation-Galvanized	551010320	
3"	Pre-Trimmed DV-5A Deluge Valve with Electric Pilot Actuation-Galvanized	551010330	
4"	Pre-Trimmed DV-5A Deluge Valve with Electric Pilot Actuation-Galvanized	551010340	
6"	Pre-Trimmed DV-5A Deluge Valve with Electric Pilot Actuation-Galvanized	551010360	
8"	Pre-Trimmed DV-5A Deluge Valve with Electric Pilot Actuation-Galvanized	551010380	

Technical Data Sheet - TFP1306

Note: These valves are also available pre-trimmed with our BFV in GxG, TxT, FxG and FxG



Date: _____

Customer Order#: _____

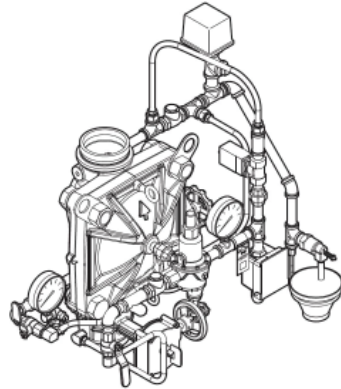
BILL THIS ORDER TO:

Name: _____
 Address: _____
 City: _____ Prov: _____
 Phone: _____ Postal Code: _____
 Attention: _____

SHIP THIS ORDER TO:

Name: _____
 Address: _____
 City: _____ Prov: _____
 Phone: _____ Postal Code: _____
 Attention: _____

**DV-5A Pre-Trimmed Deluge Systems with Remote Resetting or
Remote Resetting Pressure Reducing Trim**



Each Pre-Trimmed Valve Contains:

- Deluge Valve
- Galvanized Actuation Trim
- Pressure Switch
- Latching Selenoid Valve
- Pressure Relief Valve
(if applicable)
- Butterfly Valve
- Couplings

Each Pre-Trimmed Valve System is Individually Palletized and Packaged

Size	Description	Part No.	Qty:
Pre-Trimmed, Deluge Remote Resetting Trim, Groove x Groove			
1-1/2"	Pre-Trimmed DV-5A Deluge Valve with Remote Resetting Actuation-Galvanized	551010415	
2"	Pre-Trimmed DV-5A Deluge Valve with Remote Resetting Actuation-Galvanized	551010420	
3"	Pre-Trimmed DV-5A Deluge Valve with Remote Resetting Actuation-Galvanized	551010430	
4"	Pre-Trimmed DV-5A Deluge Valve with Remote Resetting Actuation-Galvanized	551010440	
6"	Pre-Trimmed DV-5A Deluge Valve with Remote Resetting Actuation-Galvanized	551010460	
8"	Pre-Trimmed DV-5A Deluge Valve with Remote Resetting Actuation-Galvanized	551010480	
Technical Data Sheet - TFP1325			
Pre-Trimmed, Deluge Remote Resetting Pressure Reducing Trim, Groove x Groove			
3"	Pre-Trimmed DV-5A Deluge Valve with Remote Resetting, Pressure Reducing Actuation-Galvanized	551010530	
4"	Pre-Trimmed DV-5A Deluge Valve with Remote Resetting, Pressure Reducing Actuation-Galvanized	551010540	
6"	Pre-Trimmed DV-5A Deluge Valve with Remote Resetting, Pressure Reducing Actuation-Galvanized	551010560	
8"	Pre-Trimmed DV-5A Deluge Valve with Remote Resetting, Pressure Reducing Actuation-Galvanized	551010580	
Technical Data Sheet - TFP1326			
Note: These valves are also available pre-trimmed in FxF and FxG without BFV			



Date: _____

Customer Order#: _____

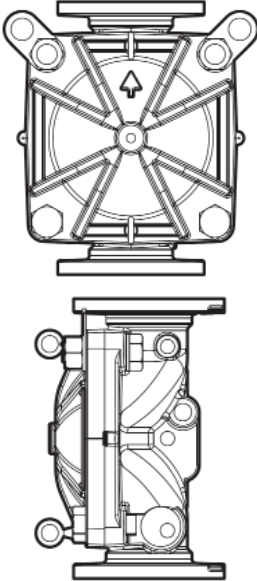
BILL THIS ORDER TO:

Name: _____
 Address: _____
 City: _____ Prov: _____
 Phone: _____ Postal Code: _____
 Attention: _____

SHIP THIS ORDER TO:

Name: _____
 Address: _____
 City: _____ Prov: _____
 Phone: _____ Postal Code: _____
 Attention: _____

DV-5A Deluge Systems, Diaphragm Style and Deluge Trim Kits

Description		Part No.	Qty:
	1-1/2" DV-5A Deluge Valves, Groove x Groove-Red	530010015	
	2" DV-5A Deluge Valves, Groove x Groove-Red	530010020	
	3" DV-5A Deluge Valves, Groove x Groove-Red	530010030	
	4" DV-5A Deluge Valves, Groove x Groove-Red	530010040	
	6" DV-5A Deluge Valves, Groove x Groove-Red	530010060	
	8" DV-5A Deluge Valves, Groove x Groove-Red	530010080	
	1-1/2" DV-5A Deluge Valves, Thread x Thread-Red	530060015	
	2" DV-5A Deluge Valves, Thread x Thread-Red	530060020	
	3" DV-5A Deluge Valves, Flange x Groove-Red	530030030	
	4" DV-5A Deluge Valves, Flange x Groove-Red	530030040	
	6" DV-5A Deluge Valves, Flange x Groove-Red	530030060	
	8" DV-5A Deluge Valves, Flange x Groove-Red	530030080	
	3" DV-5A Deluge Valves, Flange x Flange-Red	530020030	
	4" DV-5A Deluge Valves, Flange x Flange-Red	530020040	
	6" DV-5A Deluge Valves, Flange x Flange-Red	530020060	
	8" DV-5A Deluge Valves, Flange x Flange-Red	530020080	
Trim Kits for DV-5A Deluge Valves Wet Actuation			
1-1/2" and 2" Trim Kits for DV-5A Deluge Valves Wet Actuation-Galvanized		540000120	
3" Trim Kits for DV-5A Deluge Valves Wet Actuation-Galvanized		540000130	
4" Trim Kits for DV-5A Deluge Valves Wet Actuation-Galvanized		540000140	
6" Trim Kits for DV-5A Deluge Valves Wet Actuation-Galvanized		540000160	
8" Trim Kits for DV-5A Deluge Valves Wet Actuation-Galvanized		540000180	
Trim Kits for DV-5A Deluge Valves Dry Actuation			
1-1/2" and 2" Trim Kits for DV-5A Deluge Valves Dry Actuation-Galvanized		540000220	
3" Trim Kits for DV-5A Deluge Valves Dry Actuation-Galvanized		540000230	
4" Trim Kits for DV-5A Deluge Valves Dry Actuation-Galvanized		540000240	
6" Trim Kits for DV-5A Deluge Valves Dry Actuation-Galvanized		540000260	
8" Trim Kits for DV-5A Deluge Valves Dry Actuation-Galvanized		540000280	
Trim Kits for DV-5A Deluge Valves Electric Actuation			
1-1/2" and 2"	Trim Kits for DV-5A Deluge Valves Electric Actuation-Galvanized	540000320	
3"	Trim Kits for DV-5A Deluge Valves Electric Actuation-Galvanized	540000330	
4"	Trim Kits for DV-5A Deluge Valves Electric Actuation-Galvanized	540000340	
6"	Trim Kits for DV-5A Deluge Valves Electric Actuation-Galvanized	540000360	
8"	Trim Kits for DV-5A Deluge Valves Electric Actuation-Galvanized	540000380	

Continued next page



National Fire Equipment Ltd.

Deluge Valves System Order Form

Date: _____

Customer Order#: _____

BILL THIS ORDER TO:

Name: _____
 Address: _____
 City: _____ Prov: _____
 Phone: _____ Postal Code: _____
 Attention: _____

SHIP THIS ORDER TO:

Name: _____
 Address: _____
 City: _____ Prov: _____
 Phone: _____ Postal Code: _____
 Attention: _____

DV-5A Deluge Valves, Diaphragm Style and Deluge Trim Kits (cont.)

Size	Description	Part No.	Qty:
Trim Kits for DV-5A Deluge Valves Remote Reset			
1-1/2" and 2"	Trim Kits for DV-5A Deluge Valves Remote Reset Actuation-Galvanized	540000420	
3"	Trim Kits for DV-5A Deluge Valves Remote Reset Actuation-Galvanized	540000430	
4"	Trim Kits for DV-5A Deluge Valves Remote Reset Actuation-Galvanized	540000440	
6"	Trim Kits for DV-5A Deluge Valves Remote Reset Actuation-Galvanized	540000460	
8"	Trim Kits for DV-5A Deluge Valves Remote Reset Actuation-Galvanized	540000480	
Trim Kits for DV-5A Deluge Valves Remote Reset Pressure Reducing			
3"	Trim Kits for DV-5A Deluge Valves Remote Reset Pressure Reducing Actuation-Galvanized	540000530	
4"	Trim Kits for DV-5A Deluge Valves Remote Reset Pressure Reducing Actuation-Galvanized	540000540	
6"	Trim Kits for DV-5A Deluge Valves Remote Reset Pressure Reducing Actuation-Galvanized	540000560	
8"	Trim Kits for DV-5A Deluge Valves Remote Reset Pressure Reducing Actuation-Galvanized	540000580	
Technical Data Sheets: Wet, Dry, Electrical Actuation - TFP1306			
Remote Resetting - TFP1325			
Remote Resetting Pressure Reducing - TFP1326			



National Fire Equipment Ltd.

Deluge Valves System Order Form

Date: _____

Customer Order#: _____

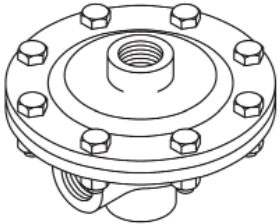
BILL THIS ORDER TO:

Name: _____
 Address: _____
 City: _____ Prov: _____
 Phone: _____ Postal Code: _____
 Attention: _____

SHIP THIS ORDER TO:

Name: _____
 Address: _____
 City: _____ Prov: _____
 Phone: _____ Postal Code: _____
 Attention: _____

Model DP-1, Dry Pilot Actuator

Description	Part No.	Qty:
 Dry Pilot Actuator Model DP-1	52-280-1-001P	

Replacement Parts for DP-1 Dry Pilot Actuator

Replacement Parts for DP-1, Diaphragm	92-280-1-008	
Replacement Parts for DP-1, Diaphragm Plate, Sub Assembly	92-280-1-012	

Technical Data Sheet - TFP1380

Deluge Valve Accessories

Size	Description	Part No.	Qty:
N/A	1/2 Solenoid Valve 24DC	522871024	
N/A	1/2 Solenoid Valve 24vDC 250psi, High pressure	522871124	
N/A	24 VDC Latching Solenoid Valve	2460566	
N/A	Dry Pilot Actuator Model DP-1	522801001P	
N/A	Manual Control Station (MC-2)	545002000	
N/A	Potter Electric, Pressure Switches, PS10-2	25710	
N/A	Potter Electric, Pressure Switches, PS40-2	25730	
N/A	OSYSU-2 Monitor Switch, Deluge System	2412	
N/A	Model WMA-1 Water Motor Alarm	526301001P	
N/A	Model PFC 4410 Fire Control Panel.	20135	
N/A	Manual Reset Actuator (MRA-1)	545001000	
N/A	Water Pressure Gauge	923431004	
N/A	Water Pressure Gauge, Deluge System	923431005	
N/A	Automatic System Air Supply #AMD-1	523242002	
N/A	Automatic System Air Supply #AMD-2	523262001	
N/A	#AMD-3 Nitrogen Air Maint Device	523282001	
N/A	Model AD-3 Automatic Drain Valve	547932004	
1/2"	Y Strainer	523531005	
1/2"	Spring Loaded Check Valve	923221003	
N/A	Pilot Valve Pressure Reducing	545100068	

Heat Detectors, Manual Control Stations, Alarm Bells, Trouble, Spray Nozzles or Open Sprinklers are ordered separately
 Contract your local TFP Distributor

Continued next page



National Fire Equipment Ltd.

Deluge Valves System Order Form

Date: _____

Customer Order#: _____

BILL THIS ORDER TO:

Name: _____
 Address: _____
 City: _____ Prov: _____
 Phone: _____ Postal Code: _____
 Attention: _____

SHIP THIS ORDER TO:

Name: _____
 Address: _____
 City: _____ Prov: _____
 Phone: _____ Postal Code: _____
 Attention: _____

Deluge Valve Accessories (cont.)

**Batteries - Two Batteries are required for Stand-by power for each Control Panel.
 Consult TD Sheets for ratings**

Size	Description	Part No.	Qty:
N/A	Model BT-80 (8 amp) Stand by Batteries, (2 REQ'D)	2656	
N/A	Model BT-120 Stand by Batteries, (2 REQ'D)	20128	

DV-5A Deluge Valve Replacement Parts

Size	Description	Part No.	Qty:
1-1/2" and 2"	Deluge Valve Replacement Diaphragm	545000020	
3"	Deluge Valve Replacement Diaphragm	545000030	
4"	Deluge Valve Replacement Diaphragm	545000040	
6"	Deluge Valve Replacement Diaphragm	545000060	
8"	Deluge Valve Replacement Diaphragm	545000080	

Technical Data Sheet - TFP1306