



# National Fire Equipment Ltd.

## Check Valves 1 1/2" & 2" GRV x GRV

**UL/ULC listed and FM approved\***

### Description

Check valves feature cast brass\*\* bodies with a spring loaded clapper assembly making this valve suitable for vertical or horizontal installations. Features metal faced clapper with O-ring seat. Rated to 300 psi. Valve bodies are tapped and plugged 1/2" IPS for additional equipment such as a ball drip valve when used in conjunction with a Fire Department Connection or a pressure gauge when used in a supply line.

### Installation

Install in accordance with approved installation practices. Use an approved thread sealant on all threaded connections. Make sure that proper lubrication has been applied to groove coupling gaskets for groove end valves.

### Specifications

Material:  
Cast Brass\*\*

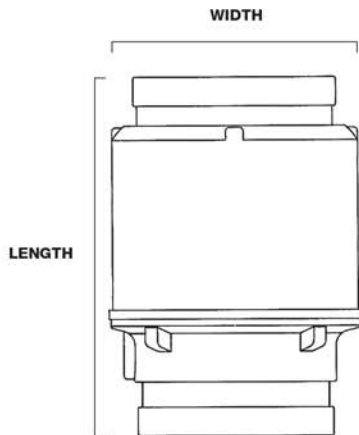
Pressure Rated:  
300psi

Size:  
1 1/2" IPS\*  
2" IPS

Configurations:  
GRV x GRV

\*\*Contains lead. Not for use in water systems intended for human consumption.

\*1 1/2" size is UL/ULc listed but not FM approved



Size	Item	Configuration	Length (IN)	Width (IN)	Length (MM)	Width (MM)
1 1/2"	09-576-00	GRV X GRV	6 15/16	4 1/8	176	105
2"	09-57-00	GRV X GRV	6 1/4	4 1/8	157	105

