



National Fire Equipment Ltd.

CE-950-3-SCFR - 9"w X 24"h X 6"d (1/4" Return)

Fire Rated Extinguisher Cabinet (Minimum - 6" Wall Depth)

STANDARD CONSTRUCTION FEATURES

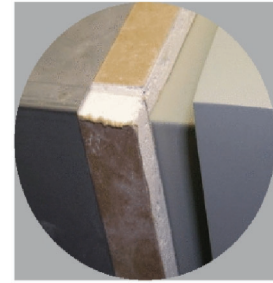
- 1/4" Turnback on Front- Full Glass Panel (Glass Size 5" x 20")
- Grey or White Powder Coat Paint Finish
- Accommodates 10lb Dry Chemical Fire Extinguisher

Options

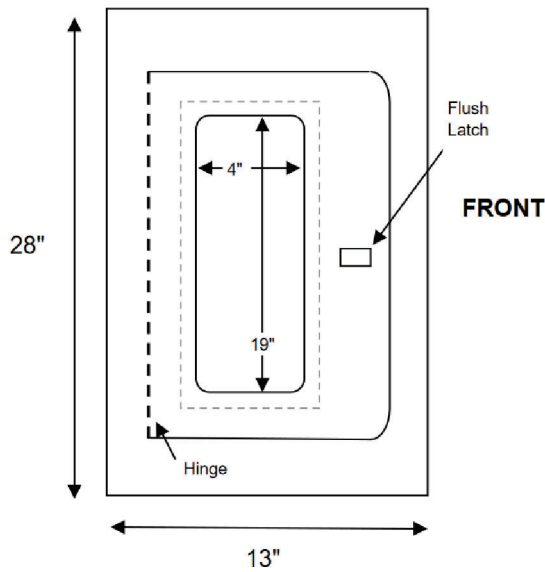
- Break Glass Door & Lock- Cylinder Lock
- Stainless Steel Front & Tub

Rating:

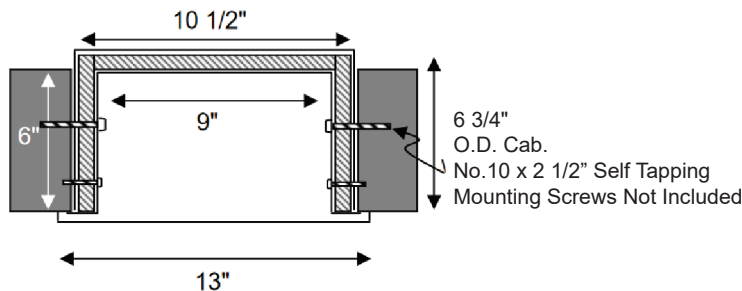
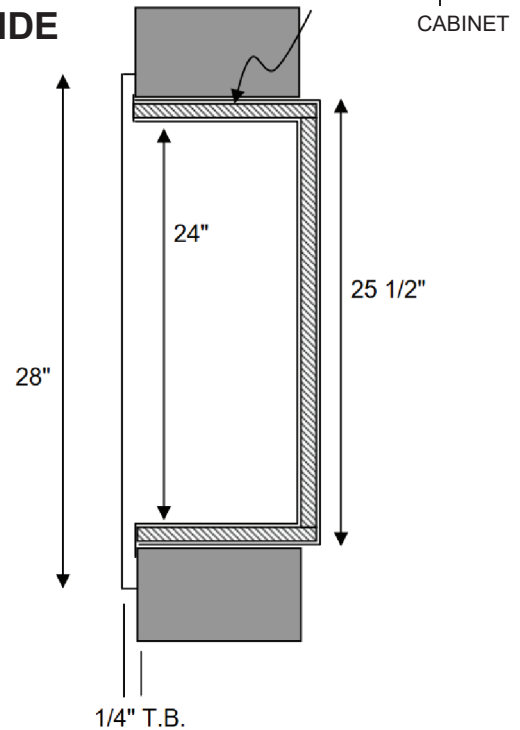
Warnock Hersey International
Test Report WHI-495-1534
2 hour vertical fire rated assembly



↑ EXTERIOR TUB
↑ TYPE X DRYWALL
↑ CABINET



SIDE



**National Fire
Equipment Ltd.**

TORONTO: (905) 761-6355
Toll Free: (800) 267-8508

OTTAWA: (613) 723-6071

VANCOUVER: (604) 420-1131
Toll Free: (800)-667-2138

BURNABY: (604)-299-4498

EDMONTON: (780) 455-3870
Toll Free: (888)-891-1008

CALGARY: (403) 236-5661

MONCTON: (506) 859-7277
Toll Free: (877) 816-3473

MISSISSAUGA: (905) 565-1385

www.nationalfire.com