



# National Fire Equipment Ltd.

**CE-950-3-FR - 9"w X 24"h X 6"d (1" Return)**

## Fire Rated Extinguisher Cabinet (Minimum - 6" Wall Depth)

### STANDARD CONSTRUCTION FEATURES

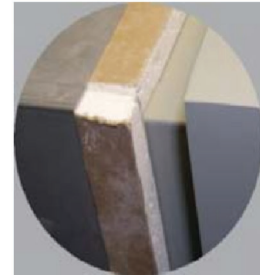
- 1" Turnback on Front
- Full Glass Panel (Glass Size 5" x 20")
- Grey Baked Enamel Finish
- Accommodates 10lb Dry Chemical Fire Extinguisher

### Options

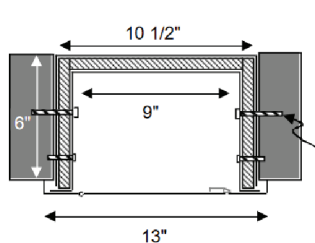
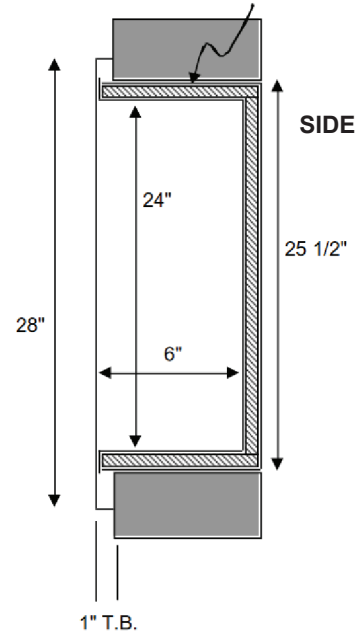
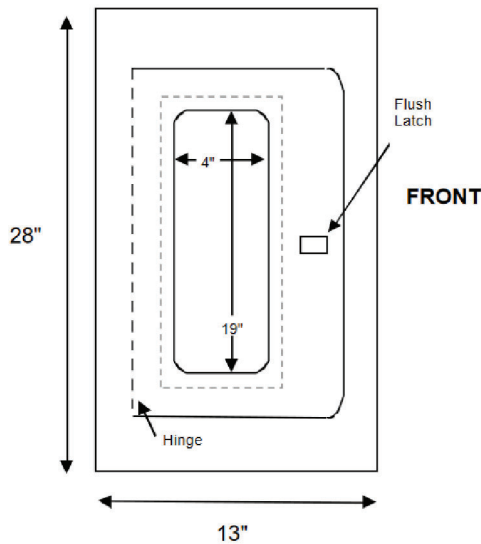
- Break Glass Door & Lock
- Cylinder Lock
- 304 Stainless Steel Front (Satin Finish) & Tub

### Rating:

Warnock Hersey International  
Test Report WHI-495-1534  
2 hour vertical fire rated assembly



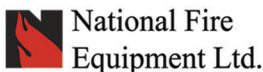
↑ EXTERIOR TUB  
↑ TYPE X DRYWALL  
↑ CABINET



**TOP**

5 1/2"  
O.D. Cab.  
Wall Depth

No. 10 x 2 1/2" Self Tapping  
Mounting Screws Not Included



TORONTO: (905) 761-6355  
Toll Free: (800) 267-8508  
OTTAWA: (613) 723-6071

VANCOUVER: (604) 420-1131  
Toll Free: (800)-667-2138  
BURNABY: (604)-299-4498

EDMONTON: (780) 455-3870  
Toll Free: (888)-891-1008  
CALGARY: (403) 236-5661

MONCTON: (506) 859-7277  
Toll Free: (877) 816-3473  
MISSISSAUGA: (905) 565-1385

[www.nationalfire.com](http://www.nationalfire.com)