



National Fire Equipment Ltd.

CE-950-3-2-FR - 9" w X 24" h X 6" d (2 3/4" Return)

Fire Rated Extinguisher Cabinet (Minimum - 4" Wall Depth)

STANDARD CONSTRUCTION FEATURES

- 2 3/4" Turnback (Front Welded to Tub)
- Full Glass Door w/ Full Length Piano Hinge
- Glass Size 5" x 20" (Glass Opening 4" x 19")
- Grey Baked Enamel Finish
- Accommodates 10lb Dry Chemical Fire Extinguisher
- Stainless Steel Paddle Latch
- Satin Coat Galvanized Exterior Tub w/ Type Drywall Lining

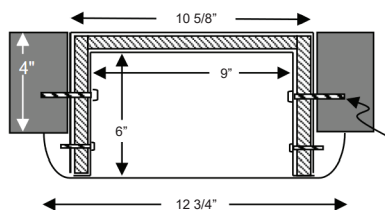
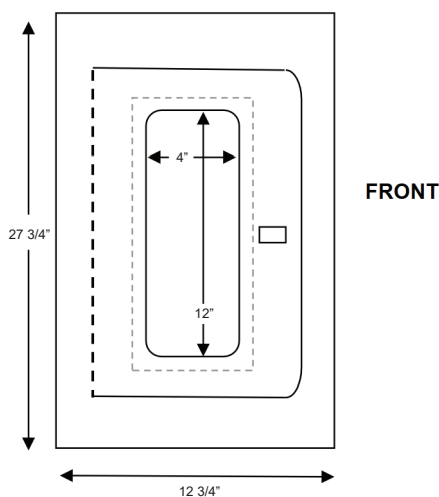
Options

Warnock Hersey International
Test Report WHI-495-1534
2 hour vertical fire rated assembly

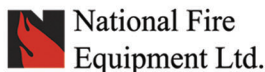
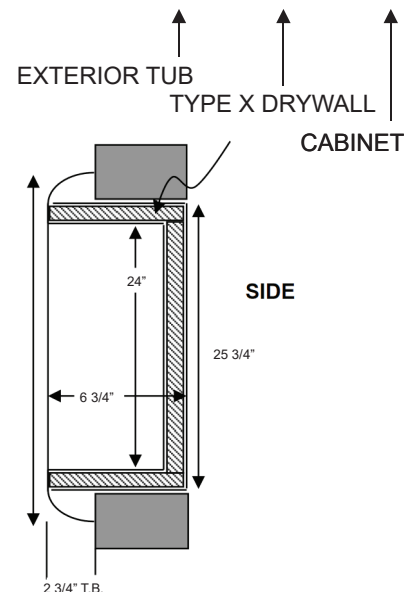


Installation:

- Rough opening should be 1/4" larger than Exterior Tub (H x W)
- Installation Instructions are included with each cabinet



No. 10 x 2 1/2" Self Tapping
Mounting Screws Not Included



TORONTO: (905) 761-6355
Toll Free: (800) 267-8508

VANCOUVER: (604) 420-1131
Toll Free: (800)-667-2138

EDMONTON: (780) 455-3870
Toll Free: (888)-891-1008

MONCTON: (506) 859-7277
Toll Free: (877) 816-3473

OTTAWA: (613) 723-6071

BURNABY: (604)-299-4498

CALGARY: (403) 236-5661

MISSISSAUGA: (905) 565-1385

www.nationalfire.com