

# CE-950-1-FR

## 14 1/2" X 30" X 4"

# FIRE EXTINGUISHER CABINET

**FIRE RATED**

### STANDARD CONSTRUCTION FEATURES

- 1 3/4" Turnback (Adjustable Angles on Front)
- Full Glass Bubble Canopy Door w/ Full Length Piano Hinge
- Glass Size 10 3/4"w x 26 3/4"h x 3"d (Glass Opening 8 1/2" x 25")
- Grey or White Baked Enamel Finish
- Accomodates 20lb Dry Chemical Fire Extinguisher
- Stainless Steel Paddle Latch
- Satin Coat Galvanized Exterior Tub w/ Type X Drywall Lining

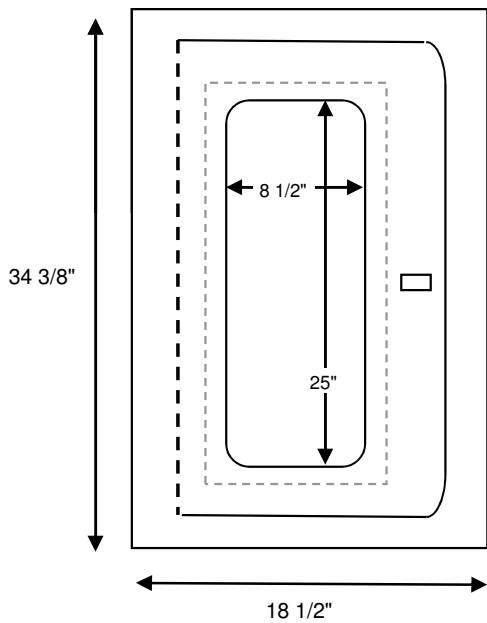
### Rating:

Warnock Hersey International  
 Test Report WHI-495-1534  
 2 hour vertical fire rated assembly

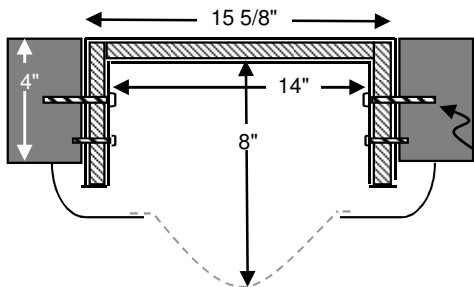


### Installation:

- Rough opening should be 1/4" larger than Exterior Tub (H x W)
- Installation Instructions are included with each cabinet

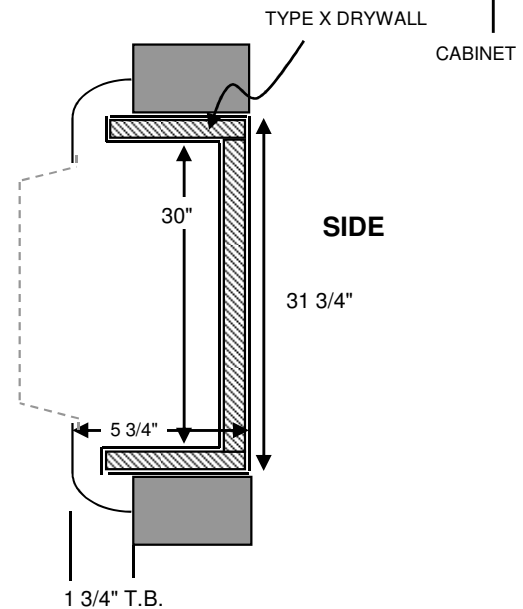


**FRONT**



**TOP**

No.10 x 2 1/2" Self Tapping  
 Mounting Screws Not Included



**SIDE**

↑ EXTERIOR TUB  
 ↑ TYPE X DRYWALL  
 ↑ CABINET

**MADE IN CANADA**



**National Fire Equipment Ltd.**

40 Edilcan Dr.,  
 Concord, Ontario, Canada  
 L4K 3S6  
 Tel: (905) 761-6355  
 Fax: (905) 761-6458