



National Fire Equipment Ltd.

CE-151-FR - 8" w X 17" h X 5" d (2" Return)

Fire Rated Extinguisher Cabinet (Minimum - 4" Wall Depth)

STANDARD CONSTRUCTION FEATURES

- 2" Rounded Turnback (Front Welded to Tub)
- Full Glass Door w/ Full Length Piano Hinge
- Glass Size 4" x 13" (Glass Opening 3" x 12")
- White Powder Coat Paint Finish (Stainless Steel Optional)
- Accommodates 5 lb Dry Chemical Fire Extinguisher
- Stainless Steel Paddle Latch

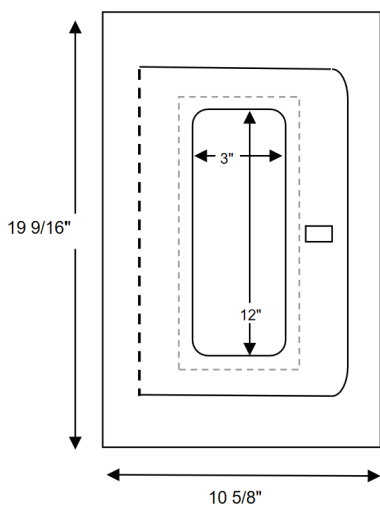
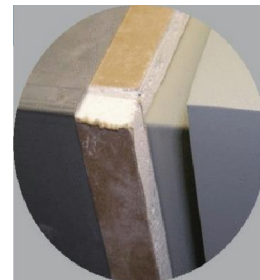
Options

Warnock Hersey International
Test Report WHI-495-1534
2 hour vertical fire rated assembly

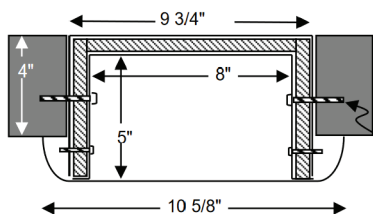


Rating:

- Rough opening should be 1/4" larger than Exterior Tub (H x W)
- Installation Instructions are included with each cabinet

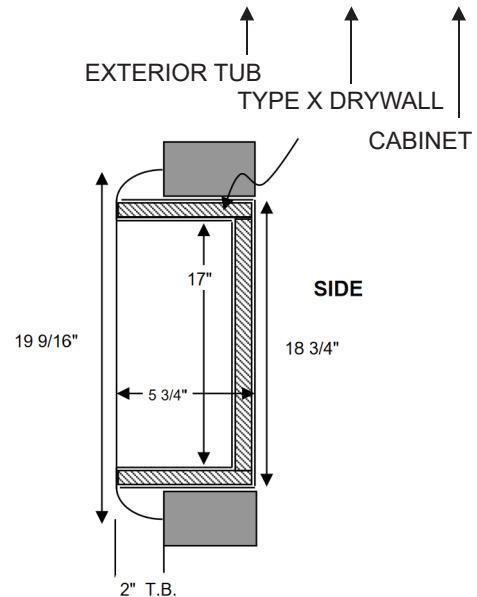


FRONT



TOP

No. 10 x 2 1/2" Self Tapping
Mounting Screws Not Included



SIDE



National Fire
Equipment Ltd.

TORONTO: (905) 761-6355
Toll Free: (800) 267-8508

OTTAWA: (613) 723-6071

VANCOUVER: (604) 420-1131
Toll Free: (800)-667-2138

BURNABY: (604)-299-4498

EDMONTON: (780) 455-3870
Toll Free: (888)-891-1008

CALGARY: (403) 236-5661

MONCTON: (506) 859-7277
Toll Free: (877) 816-3473

MISSISSAUGA: (905) 565-1385

www.nationalfire.com