



National Fire Equipment Ltd.

30" X 30" X 6"

STANDARD CONSTRUCTION FEATURES

- 1/2" Turnback Adjustable Front
- Full Glass Door (Complete with Stainless Steel Paddle Latch)
- Glass Size 26" x 26" (Viewing Panel 25" x 25")
- Grey or White Powder Coated Finish
- Reversible 1 1/2" Valve Knockouts on 23" & 20" Centres

Options

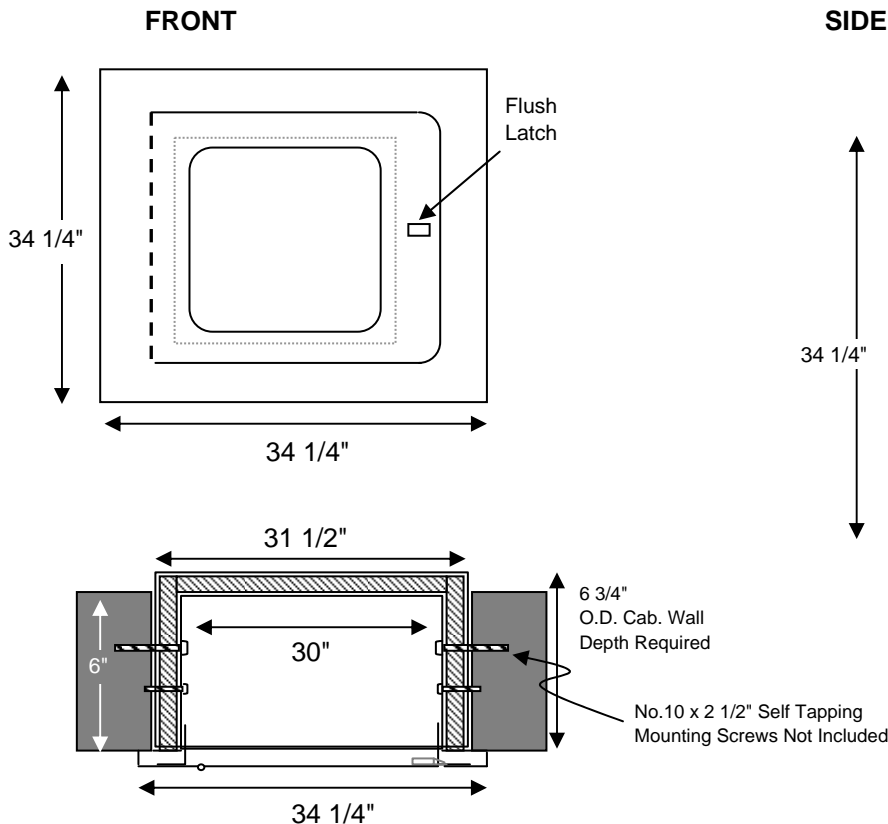
- Break Glass Door & Lock
- Full Metal Door
- Cylinder Lock
- 304 Stainless Steel Adjustable Front (#4 Satin Finish)
- Invisible SOSS Hinges (3) w/ 3/4" Turnback on Trim

Rating:

Warnock Hersey International
 Test Report WHI-495-1534
 2 hour vertical fire rated assembly

31 3/4" h X 31 3/4" w X 6 3/8" d Rough in Required

FIRE HOSE CABINET FIRE RATED



NOTE: Knockouts are centred 3 1/2" from the back of the tub.

