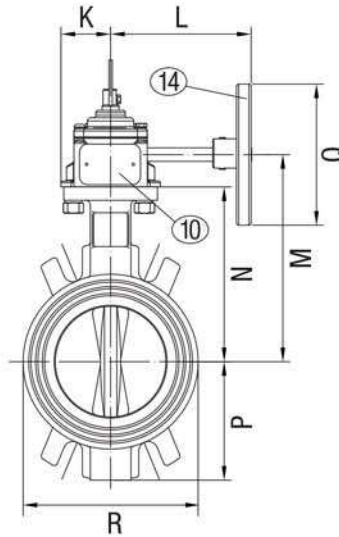
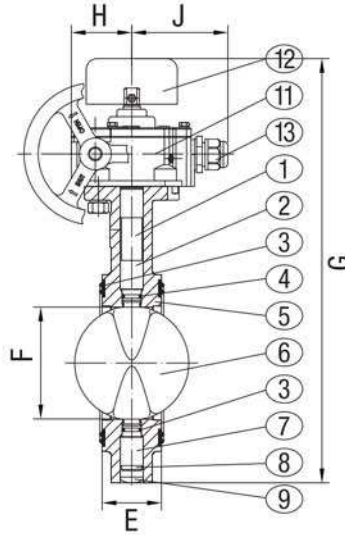
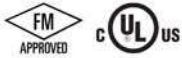




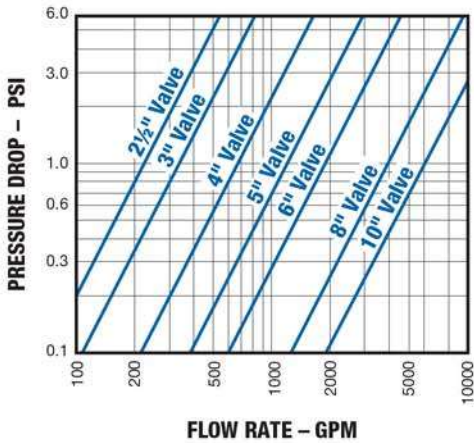
# National Fire Equipment Ltd.

**BFVAX-WD3551-TM2 - Normally Open  
300 PSI CWP | Wafer Style Butterfly Valve**



MATERIAL SPECIFICATIONS			
NO.	PART NAME	MATERIAL	STANDARD
1	Upper Stem	Stainless Steel	ASTM A 276 Type 420
2	Upper Bearing	PTFE Bronze Sintered on Steel	-
3	Body Gasket	EPDM	-
4	O-Ring	EPDM	-
5	Body	Ductile Iron Epoxy Coated	ASTM A 395
6	Disc	Ductile Iron with EPDM	ASTM A 395
7	Lower Bearing	PTFE Bronze Sintered on Steel	-
8	Lower Stem	Stainless Steel	ASTM A 276 Type 420
9	Dust Plug	PVC	-
10	Name Plate	Stainless Steel	-
11	Gear Operator	Cast Iron and Steel	-
12	Indicator Flag	Steel	-
13	Cable gland	Nylon	-
14	Handwheel	Cast Iron	-

Pressure Drop / Flow Rate



### BFVAX-WD3551-TM2 Product Description

300 PSI wafer style butterfly valve, epoxy coated ductile iron body, normally open position monitored, EPDM encapsulated ductile iron disc, comes with 2 internal supervisory switches, UL/ULC listed and FM Approved.

### Working Pressure

- 300 PSI Non-Shock Cold Working Pressure (CWP)

### End Connection

- Wafer



### DIMENSIONS

SIZE	E		F		G		H		J		K		L		M		N		P		Q		R		WEIGHT	
inch	inch	mm	inch	mm	inch	mm	inch	mm	inch	mm	inch	mm	inch	mm	inch	mm	inch	mm	inch	mm	inch	mm	inch	mm	lbs	kg
2½"	1.81	46	2.40	61	12.36	314	2.09	53	3.35	85	1.73	44	4.92	125	6.06	154	4.96	126	2.95	75	4.25	108	3.35	85	85	4.9
3"	1.81	46	2.87	73	13.27	337	2.09	53	3.35	85	1.73	44	4.92	125	6.42	163	5.31	135	3.54	90	4.25	108	3.82	97	97	5.5
4"	2.05	52	3.86	98	14.68	373	2.09	53	3.35	85	1.73	44	4.92	125	7.20	183	6.02	155	4.13	105	4.92	125	4.88	124	124	7.1
5"	2.20	56	4.80	122	16.14	410	2.99	76	3.62	92	1.85	47	6.62	168	8.15	207	6.81	173	4.80	122	5.90	150	6.10	155	-	-
6"	2.20	56	5.75	146	17.13	435	2.99	76	3.62	92	1.85	47	6.62	168	8.62	219	7.28	185	5.31	135	5.90	150	7.20	183	183	12.9
8"	2.36	60	7.72	196	19.44	494	2.99	76	3.62	92	1.85	47	6.62	168	9.76	248	8.42	214	6.49	165	5.90	150	9.29	236	236	19.1



**National Fire  
Equipment Ltd.**

TORONTO: (905) 761-6355  
Toll Free: (800) 267-8508

VANCOUVER: (604) 420-1131  
Toll Free: (800)-667-2138

EDMONTON: (780) 455-3870  
Toll Free: (888)-891-1008

MONCTON: (506) 859-7277  
Toll Free: (877) 816-3473

OTTAWA: (613) 723-6071

BURNABY: (604)-299-4498

CALGARY: (403) 236-5661

MISSISSAUGA: (905) 565-1385

www.nationalfire.com