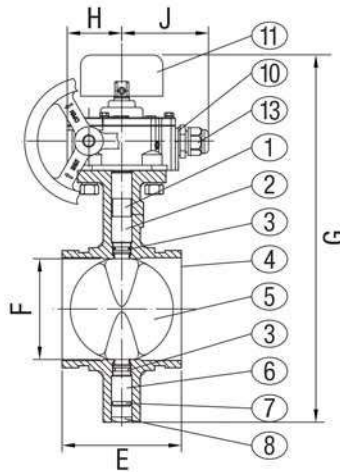
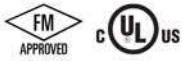




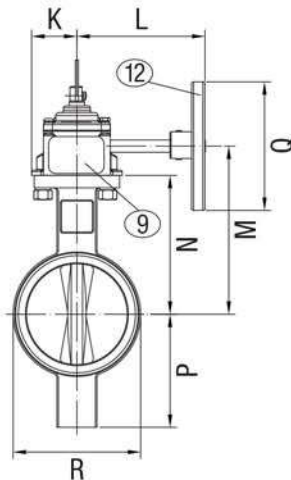
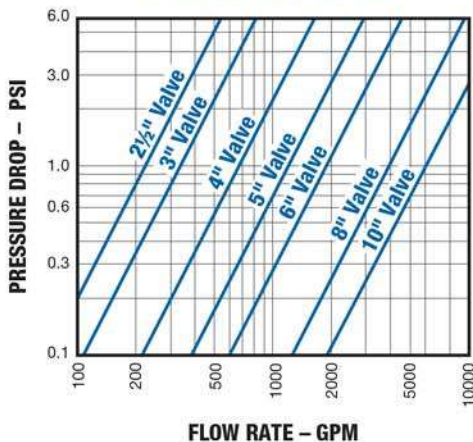
# National Fire Equipment Ltd.

**BFVAX-GD3551-TM2 - Normally Open**  
**300 PSI CWP | Grooved Style Butterfly Valve**



MATERIAL SPECIFICATIONS			
NO.	PART NAME	MATERIAL	STANDARD
1	Upper Stem	Stainless Steel	ASTM A 276 Type 420
2	Upper Bearing	PTFE Bronze Sintered on Steel	-
3	O-Ring	EPDM	-
4	Body	Ductile Iron Epoxy Coated	ASTM A 395
5	Disc	Ductile Iron with EPDM	ASTM A 395
6	Lower Bearing	PTFE Bronze Sintered on Steel	-
7	Lower Stem	Stainless Steel	ASTM A 276 Type 420
8	Dust Plug	PVC	-
9	Name Plate	Stainless Steel	-
10	Gear Operator	Cast Iron and Steel	-
11	Indicator Flag	Steel	-
12	Handwheel	Cast Iron	-
13	Cable Gland	Nylon	-

Pressure Drop / Flow Rate



### BFVAX-GD3551-TM2 Product Description

300 PSI grooved style butterfly valve, epoxy coated ductile iron body, normally open position monitored, EPDM encapsulated ductile iron disc, comes with 2 internal supervisory switches, UL/ULC listed and FM Approved.

### Working Pressure

- 300 PSI Non-Shock Cold Working Pressure (CWP)

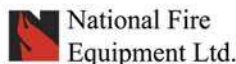
### End Connection

- Grooved



### DIMENSIONS

SIZE	O.D.	E	F	G	H	J	K	L	M	N	P	Q	R	WEIGHT													
Inch	mm	Inch	mm	Inch	mm	Inch	mm	Inch	mm	Inch	mm	Inch	mm	lbs	kg												
2 1/2"	73.0	3.85	98	2.40	61	11.22	285	2.09	53	3.35	85	1.73	44	4.92	125	4.92	125	3.78	96	2.95	75	4.25	108	3.35	85	10.8	4.9
3" OD	76.1	3.85	98	2.40	61	11.22	285	2.09	53	3.35	85	1.73	44	4.92	125	4.92	125	3.78	96	2.95	75	4.25	108	3.35	85	11.0	5.0
3"	88.9	3.85	98	2.87	73	12.20	310	2.09	53	3.35	85	1.73	44	4.92	125	5.28	134	4.13	105	3.54	90	4.25	108	3.82	97	12.3	5.6
4"	114.3	4.56	116	3.86	98	14.17	360	2.09	53	3.35	85	1.73	44	4.92	125	6.46	164	5.31	135	4.33	110	4.92	125	4.88	124	17.3	7.9
5 1/2" OD	139.7	5.86	149	4.80	122	15.35	390	2.99	76	3.35	92	1.85	47	6.62	168	7.17	182	5.83	148	5.00	127	5.90	150	6.10	155	29.8	13.5
5"	141.3	5.86	149	4.80	122	15.35	390	2.99	76	3.62	92	1.85	47	6.62	168	7.17	182	5.83	148	5.00	127	5.90	150	6.10	155	29.8	13.5
6 1/2" OD	165.1	5.86	149	5.75	146	16.73	425	2.99	76	3.62	92	1.85	47	6.62	168	7.83	199	6.50	165	5.71	145	5.90	150	7.20	183	34.0	15.4
6"	168.3	5.86	149	5.75	146	16.73	425	2.99	76	3.62	92	1.85	47	6.62	168	7.83	199	6.50	165	5.71	145	5.90	150	7.20	183	33.1	15.0
8"	219.1	5.27	134	7.72	196	19.41	493	2.99	76	3.62	92	1.85	47	6.62	168	9.37	238	8.03	204	6.89	175	5.90	150	9.29	236	45.0	20.4
10"	273.0	6.30	160	9.57	243	22.76	578	3.74	95	3.94	100	2.60	66	9.45	240	11.18	284	9.65	245	8.27	210	9.84	250	11.38	289	79.7	36.2



TORONTO: (905) 761-6355  
 Toll Free: (800) 267-8508

OTTAWA: (613) 723-6071

VANCOUVER: (604) 420-1131  
 Toll Free: (800)-667-2138

BURNABY: (604)-299-4498

www.nationalfire.com

EDMONTON: (780) 455-3870  
 Toll Free: (888)-891-1008

CALGARY: (403) 236-5661

MONCTON: (506) 859-7277  
 Toll Free: (877) 816-3473

MISSISSAUGA: (905) 565-1385