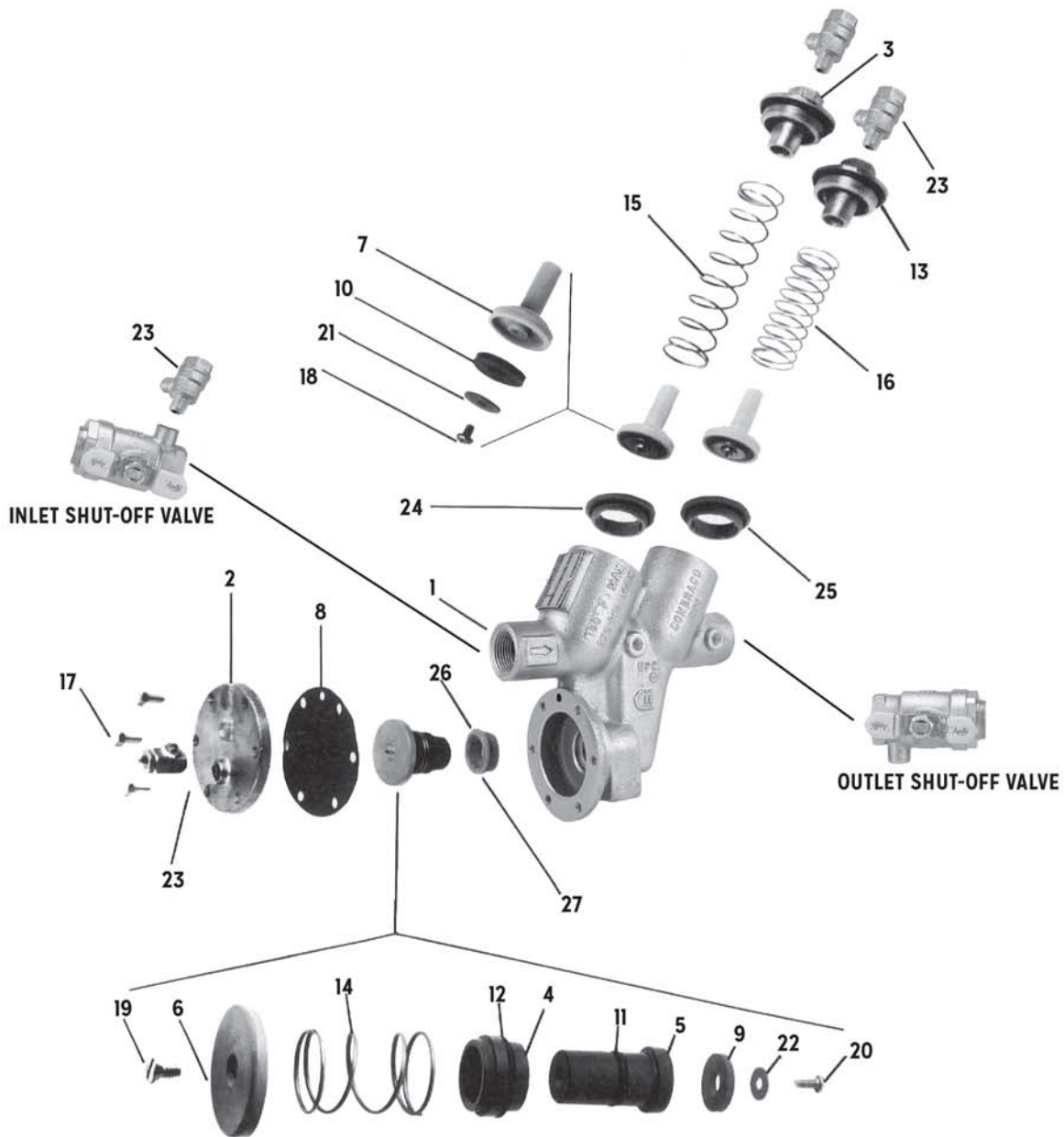




National Fire Equipment Ltd.

Apollo 40 - 200 Reduced Pressure .25" - 2"

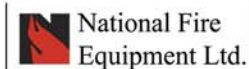
PART NUMBER DIAGRAM - 1/4" - 2" BRONZE



INLET AND OUTLET SHUT-OFF VALVES 40-20X-TX



SIZE	1/4"	3/8"	1/2"	3/4"	1"	1-1/4"	1-1/2"	2"
Inlet Shut-Off Valve (pictured)	7B80101	7B80201	7B80301	7B80401	7B80501	7B80699A	7B80799A	7B80899A
Inlet Shut-Off Valve w/Union			7B30301	7B30401	7B30501	7B30699A	7B30799A	7B30899A
Outlet Shut-Off Valve (pictured)	7B80131	7B80231	7B80331	7B80431	7B80531	7B80699B	7B80799B	7B80899B
Outlet Shut-Off Valve w/Union			7B30331	7B30431	7B30531	7B30699B	7B30799B	7B30899B
Replacement Handles for Shut-Off Valves	W858800	W858800	W858800	W858800	W859100	W891500	W891600	W891600



TORONTO: (905) 761-6355
Toll Free: (800) 267-8508
OTTAWA: (613) 723-6071

VANCOUVER: (604) 420-1131
Toll Free: (800)-667-2138
BURNABY: (604)-299-4498
www.nationalfire.com

EDMONTON: (780) 455-3870
Toll Free: (888)-891-1008
CALGARY: (403) 236-5661

MONCTON: (506) 859-7277
Toll Free: (877) 816-3473
MISSISSAUGA: (905) 565-1385

PARTS LIST - 1/4" - 2" BRONZE

ITEM NO	DESCRIPTION	QUANTITY	PART NO		
			1/4", 3/8", 1/2"	3/4" & 1"	1-1/4", 1-1/2", 2"
1	Body	1	Consult Factory	Consult Factory	Consult Factory
2	RV Cover	1	F301705	F298205	F298505
3	Cap	2	F323105	F310805	F311505
4	RV Bushing	1	I450715	I424015	I425715
5	RV Stem	1	G329600	G321200	G321300
6	Diaphragm Plate	1	E222200	D250600	D251600
7	Poppet	2	K340900	K336200	K336700
8	RV Diaphragm	1	D263200	D250500	D251500
9	RV Seat Disc	1	D263100	D282900	D251400
10	Check Seat Disc	2	D263000	D250300	D250800
11	Stem O-Ring	1	D262800	D250200	D251300
12	Bushing O-Ring	1	D262900	D250100	D251200
13	Check Cap O-Ring	2	D204600	D250000	D251000
14	RV Spring	1	A179500	A169800	A170200
15	1st Check Spring	1	A179700	A169900	A170300
16	2nd Check Spring	1	A179400	A170000	A170100
17	Hex Head Bolt	6(*4)(**7)	B179300	B175100	B175400
18	Screw	2	B183700	B175000	B175000
19	Screw	1	B174900	B174900	B175300
20	Screw	1	B183700	B174800	B175300
21	Retaining Washer	2	E222300	D249900	D250900
22	Retaining Washer	1	E222400	D249800	D249900
23	Test Cock	4	7829001	7829001	7829101
24	Check Seat	2	L515200	L486400	L486600
25	Check O-Ring	2	D308600	D227400	D256500
26	RV Seat	1	L515300	L486300	L486700
27	RV O-Ring	1	D308700	D216800	D227400

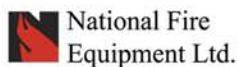
* 1/4", 3/8" & 1/2" SIZES ONLY

** 1-1/4", 1-1/2" & 2" SIZES ONLY

REPAIR KITS***

KIT	PARTS INCLUDED	PART NO		
		1/4", 3/8", 1/2"	3/4" & 1"	1-1/4", 1-1/2", 2"
Major Repair Kit	4, 5, 6, 7 (2), 8, 9, 10 (2), 11, 12, 13 (2), 14, 18 (2), 19, 20, 21 (2), 22, 24 (2), 25 (2), 26, 27	40003A1	40004A1	40007A1
Check Valve Repair Kit	7, 10, 13, 18, 21, 24, 25	40007A2	40007A2	40007A2
Relief Valve Repair Kit	4, 5, 6, 8, 9, 11, 12, 14, 19, 20, 22, 26, 27	40003A3	40004A3	40007A3
Rubber Repair Kit	8, 9, 10 (2), 11, 12, 13 (2), 25 (2), 27	40003A4	40004A4	40007A4
Replaceable Seat Kit	24 (2), 25 (2), 26, 27	40003A7	40004A7	40007A7
Air Gap Drain	-	40200XA	40200X1	40200X1
Seat Removal Tool	-	40000SRT	40000SRT	40000SRT

*** For repair kits without replaceable seat components, replace part number suffix designation "A" with "O". Example: Major Repair Kit part number 40004O1



TORONTO: (905) 761-6355
Toll Free: (800) 267-8508
OTTAWA: (613) 723-6071

VANCOUVER: (604) 420-1131
Toll Free: (800)-667-2138
BURNABY: (604)-299-4498

EDMONTON: (780) 455-3870
Toll Free: (888)-891-1008
CALGARY: (403) 236-5661

MONCTON: (506) 859-7277
Toll Free: (877) 816-3473
MISSISSAUGA: (905) 565-1385

www.nationalfire.com