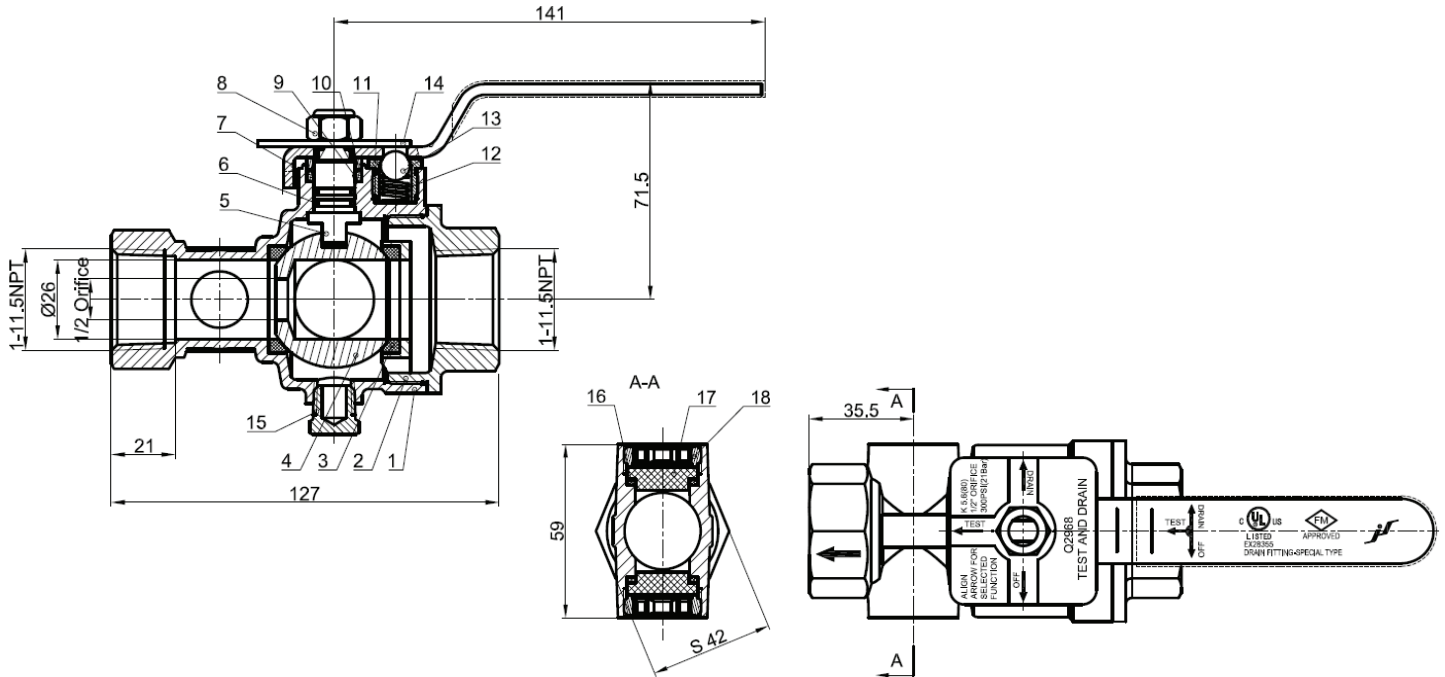




National Fire Equipment Ltd.

A61Y005 1" Test & Drain Valve



ITEM	DRAWING NO	NAME	QTY	MATERIAL
1	Q2968-100-01	Body	1	C37700
2	Q2968-100-02	Cap	1	C37700
3	Q2938-100-03	Seal	2	PTFE
4	413-44.5X26X8-K5.6B	Ball	1	C37700
5	Q2968-100-05	STEM	1	C37700/HPb59-1
6	O-10X1.8-NBR	O-Ring	2	NBR(A70±5)
7	Q2968-100-07	Handle	1	Q235A/304
8	LM-M10X10-Q235A	Nut	1	Q235A
	LM-M10X10-304	Nut	1	304
9	Q2938-100-09	Gland packing	1	PTFE
10	Q2938-100-10	Gland ring	1	C37700
11	Q2968-100-11	Gland nut	1	C37700
12	Q2958-100-18	Spring	1	302/304
13	GZ-Ø9.53	Steel Ball	1	304
14	Q2968-100-08	Indicator Plate	1	Q235A/304
15	Q2938-100-15	Plug	1	C37700
16	Q2928-100-11	Washer	2	NBR(A70±5)
17	Q2928-100-12	Slight Glass	2	LEXAN
18	Q2928-100-13	Retaining Ring	2	C37700



**National Fire
Equipment Ltd.**

TORONTO: (905) 761-6355
Toll Free: (800) 267-8508

OTTAWA: (613) 723-6071

VANCOUVER: (604) 420-1131
Toll Free: (800)-667-2138

BURNABY: (604)-299-4498

EDMONTON: (780) 455-3870
Toll Free: (888)-891-1008

CALGARY: (403) 236-5661

MONCTON: (506) 859-7277
Toll Free: (877) 816-3473

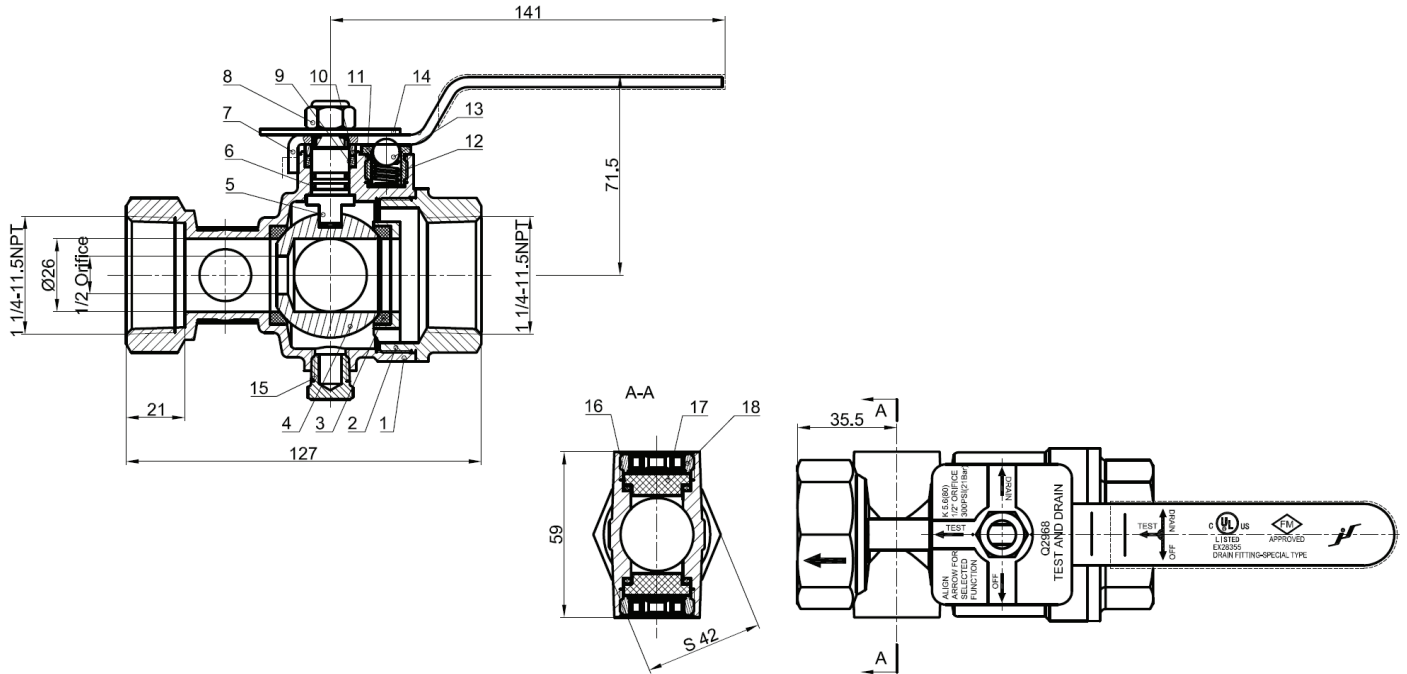
MISSISSAUGA: (905) 565-1385

www.nationalfire.com



National Fire Equipment Ltd.

A61Y006 1 1/4" Test & Drain Valve



ITEM	DRAWING NO	NAME	QTY	MATERIAL
1	Q2968-141-01	Body	1	C37700
2	Q2968-141-02	Cap	1	C37700
3	Q2938-100-03	PTFE	2	PTFE
4	413-44,5X26X8-K5,6	Ball	1	C37700
5	Q2968-100-05	Stem	1	C37700/HPb59-1
6	0-10X1.8-NBR	O-Ring	2	NBR(A70±5)
7	Q2968-100-07	Handle	1	Q235A/304
8	LM-M10X10-Q235A	Nut	1	Q235A
	LM-M10X10-304	Nut	1	304
9	Q2938-100-09	Gland packing	1	PTFE
10	Q2938-100-10	Gland ring	1	C37700
11	Q2968-100-11	Gland nut	1	C37700
12	Q2958-100-18	Spring	1	302/304
13	GZ-Ø9.53	Steel Ball	1	304
14	Q2968-100-14	Indicator Plate	1	Q235A/304
15	Q2938-100-15	Plug	1	C37700
16	Q2928-100-11	Washer	2	NBR(A70±5)
17	Q2928-100-12	Sight Glass	2	LEXAN
18	Q2928-100-13	Retaining Ring	2	C37700



National Fire
Equipment Ltd.

TORONTO: (905) 761-6355
Toll Free: (800) 267-8508

OTTAWA: (613) 723-6071

VANCOUVER: (604) 420-1131
Toll Free: (800)-667-2138

BURNABY: (604)-299-4498

EDMONTON: (780) 455-3870
Toll Free: (888)-891-1008

CALGARY: (403) 236-5661

MONCTON: (506) 859-7277
Toll Free: (877) 816-3473

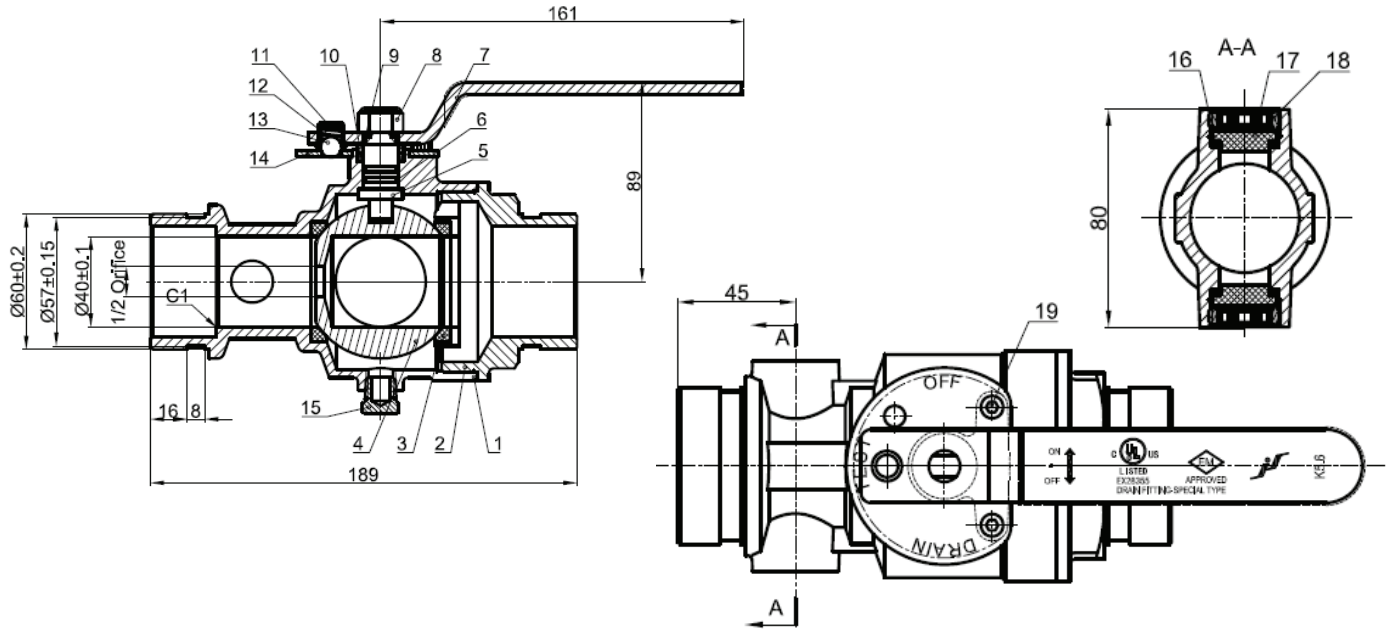
MISSISSAUGA: (905) 565-1385

www.nationalfire.com



National Fire Equipment Ltd.

A61Y082 2" Test & Drain Valve



ITEM	DRAWING NO	NAME	QTY	MATERIAL
1	Q2968-200B-01	Body	1	C37700
2	Q2968-200B-02	Cap	1	C37700
3	Q2938-121-03	PTFE	2	PTFE
4	413-68X40X10-K5.6	Ball	1	C37700
5	Q2938-121-05	Stem	1	C37700/HPb59-1
6	O-12.5X1.8-NBR	O-Ring	2	NBR(A70±5)
7	Q2968-121-07	Handle	1	Q235A/304
	LM-M12X11-Q235A	Nut	1	Q235A
8	LM-M12X11-304	Nut	1	304
9	Q2938-121-09	Gland packing	1	PTFE
10	Q2938-121-10	Gland ring	1	C37700
11	Q2938-100-11	Gland nut	1	C37700
12	Q2938-100-12	Spring	1	304
13	GZ-Ø9	Steel Ball	1	304
14	Q2968-121B-14S	Indicator Plate	1	Q235A/304
15	Q2938-100-15	Plug	1	C37700
16	Q2928-100-11	Washer	2	NBR(A70±5)
17	Q2928-100-12	Sight Glass	2	LEXAN
18	Q2928-100-13	Retaining Ring	2	C37700
19	Q2938-100-19	Stop Screw	2	304



National Fire Equipment Ltd.

A61Y082 2" Test & Drain Valve

Machining Tolerances Unless Otherwise Specified	
>0.5-6	±0.1
>6-30	±0.2
>30-120	±0.3

Forging Tolerances Unless Otherwise Specified	
<20	±0.3
>20-40	±0.5
>40-60	±0.6
>60-80	±1
>80-100	±1.2

