

ELITE Series

FIRE EXTINGUISHER CABINET SEMI-RECESSED

Model: EC-151-FR

8" w X 17" h X 5" d

FIRE RATED

STANDARD CONSTRUCTION FEATURES

- 2" Rounded Turnback (Front Welded to Tub)
- Full Glass Door w/ Full Length Piano Hinge
- Glass Size 4" x 13" (Glass Opening 3" x 12")
- White Powder Coat Paint Finish (Stainless Steel Optional)
- Accommodates 5 lb Dry Chemical Fire Extinguisher
- Stainless Steel Paddle Latch

Stainless Steel Option: 304 SS w/ Satin #4 Finish

Model: EC-152-FR

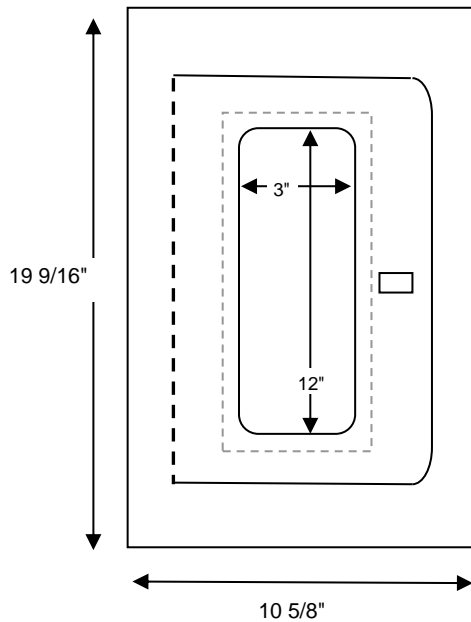
Rating:

Warnock Hersey International
Test Report WHI-495-1534
2 hour vertical fire rated assembly

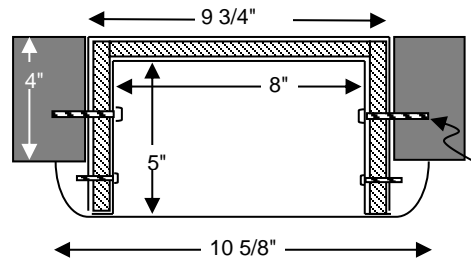


Installation:

- Rough opening should be 1/4" larger than Exterior Tub (H x W)
- Installation Instructions are included with each cabinet



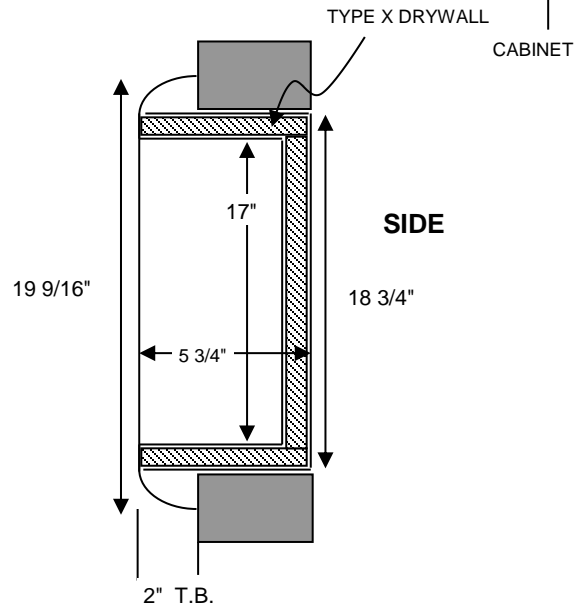
FRONT



TOP

No.10 x 2 1/2" Self Tapping
Mounting Screws Not Included

Min. Wall Depth of 4" Required



SIDE