



National Fire Equipment Ltd.

102F-FG-FR - 8" w x 17" h x 5" d (1/4" Return)

Fire Rated Extinguisher Cabinet (Minimum - 4" Wall Depth)

STANDARD CONSTRUCTION FEATURES

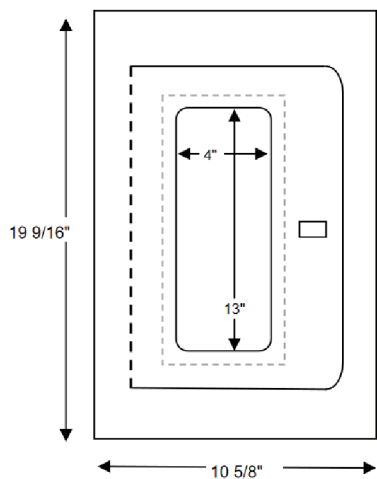
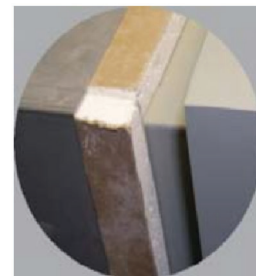
- 1/4" Turnback Adjustable Front- Full Glass Panel
- Grey or White Baked Enamel Finish
- Accomodates all 5lb Dry Chemical Fire Extinguishers

Options

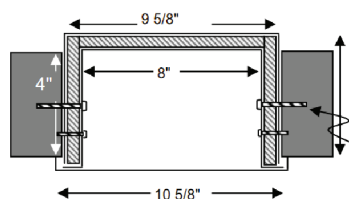
- Break Glass Door & Lock
- Cylinder Lock
- Stainless Steel Front & Tub

Rating:

Warnock Hersey International
Test Report WHI-495-1534
2 hour vertical fire rated assembly

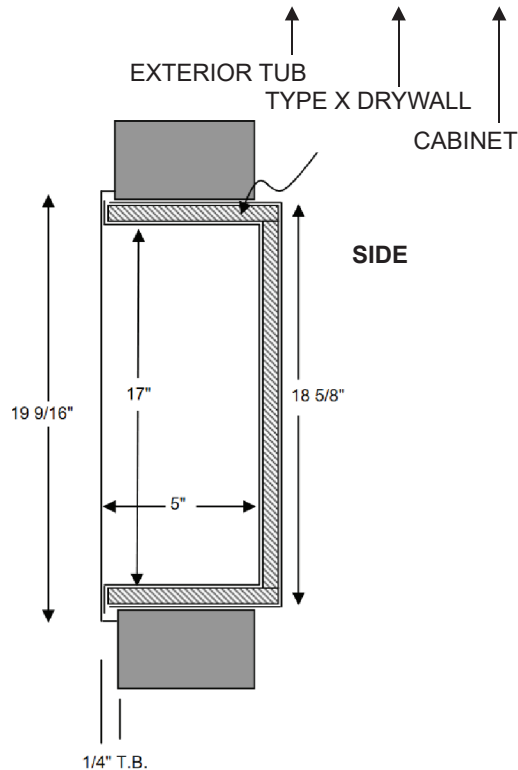


FRONT



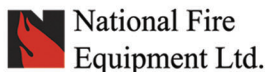
TOP

5 1/2" O.D. Cab. Wall Depth
No. 10 x 2 1/2" Self Tapping Mounting Screws Not Included



SIDE

EXTERIOR TUB
TYPE X DRYWALL
CABINET



TORONTO: (905) 761-6355
Toll Free: (800) 267-8508
OTTAWA: (613) 723-6071

VANCOUVER: (604) 420-1131
Toll Free: (800)-667-2138
BURNABY: (604)-299-4498

EDMONTON: (780) 455-3870
Toll Free: (888)-891-1008
CALGARY: (403) 236-5661

MONCTON: (506) 859-7277
Toll Free: (877) 816-3473
MISSISSAUGA: (905) 565-1385

www.nationalfire.com